

aiwa

**STEREO RECEIVER
RECEPTOR ESTEREO
AMPLI-TUNER STEREO**

AV-D35

**OPERATING INSTRUCTIONS
MANUAL DE INSTRUCCIONES
MODE D'EMPLOI**

En (English)

E (Español)

F (Français)

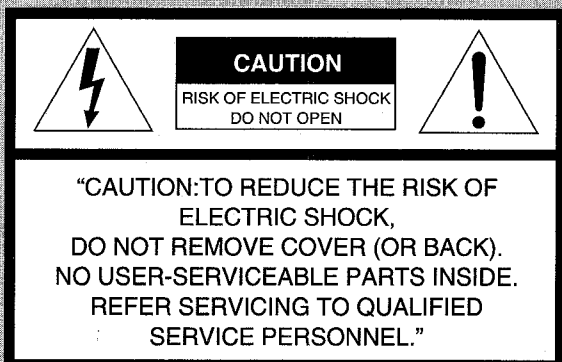
For assistance and information

call toll free 1-800-BUY-AIWA

(United States and Puerto Rico)

WARNING

TO REDUCE THE RISK OF FIRE OR ELECTRIC SHOCK, DO NOT EXPOSE THIS APPLIANCE TO RAIN OR MOISTURE.



Explanation of Graphical Symbols



The lightning flash with arrowhead symbol within an equilateral triangle, is intended to alert the user to the presence of uninsulated "dangerous voltage" within the products enclosure that may be of sufficient magnitude to constitute a risk of electric shock to person.



The exclamation point within an equilateral triangle is intended to alert the user to the presence of important operating and maintenance (servicing) instruction in the literature accompanying the appliance.

Owner's record


For your convenience, record the model number and serial number (you will find them on the rear of your unit) in the space provided below. Please refer to them when you contact your Aiwa dealer in case of difficulty.

Model No.	Serial No. (Lot No.)
AV-D35	

PRECAUTIONS

Read the Operating Instructions carefully and completely before operating the unit. Be sure to keep the Operating Instructions for future reference. All warnings and cautions in the Operating Instructions and on the unit should be strictly followed, as well as the safety suggestions below.

Installation

- Water and moisture** — Do not use this unit near water, such as near a bathtub, washbowl, swimming pool, or the like.
- Heat** — Do not use this unit near heat sources, including heating vents, stoves, or other appliances that generate heat. It also should not be placed in temperatures less than 5°C (41°F) or higher than 35°C (95°F).
- Mounting surface** — Place the unit on a flat, even surface.
- Ventilation** — The unit should be situated with adequate space around it so that proper heat ventilation is assured. Allow 10 cm (4 in.) clearance from the rear and the top of the unit, and 5 cm (2 in.) from each side.
 - Do not place the unit on a bed, rug, or similar surface that may block the ventilation openings.
 - Do not install the unit in a bookcase, cabinet, or airtight rack where ventilation may be impeded.
- Objects and liquid entry** — Take care that objects or liquids do not get inside the unit through the ventilation openings.
- Carts and stands** — When placed or mounted on a stand or cart, the unit should be moved with care. Quick stops, excessive force, and uneven surfaces may cause the unit or cart to overturn or fall.
 
- Wall or ceiling mounting** — The unit should not be mounted on a wall or ceiling, unless specified in the Operating Instructions.

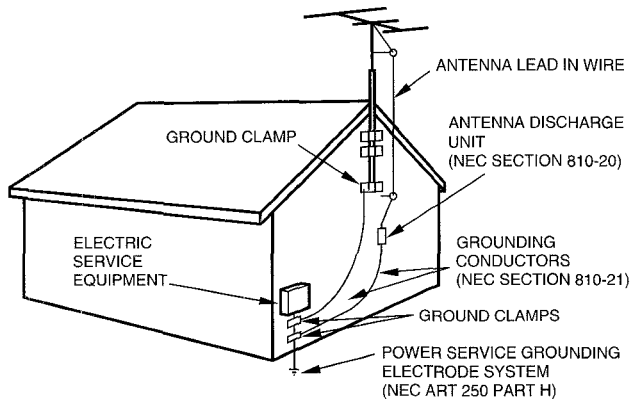
Electric Power

- Power sources** — Connect this unit only to power sources specified in the Operating Instructions, and as marked on the unit.
- Polarization** — As a safety feature, some units are equipped with polarized AC power plugs which can only be inserted one way into a power outlet. If it is difficult or impossible to insert the AC power plug into an outlet, turn the plug over and try again. If it is not still inserted easily into the outlet, please call a qualified service technician to service or replace the outlet. To avoid defeating the safety feature of the polarized plug, do not force it into a power outlet.
- AC power cord**
 - When disconnecting the AC power cord, pull it out by the AC power plug. Do not pull the cord itself.
 - Never handle the AC power plug with wet hands, as this could result in fire or shock.
 - Power cords should be firmly secured to avoid being severely bent, pinched, or walked upon. Pay particular attention to the cord from the unit to the power socket.
 - Avoid overloading AC power plugs and extension cords beyond their capacity, as this could result in fire or shock.
- Extension cord** — To help prevent electric shock, do not use a polarized AC power plug with an extension cord, receptacle, or other outlet unless the polarized plug can be completely inserted to prevent exposure of the blades of the plug.
- When not in use** — Unplug the AC power cord from the AC power outlet if the unit will not be used for several months or more. When the cord is plugged in, a small amount of current continues to flow to the unit, even when the power is turned off.

Outdoor Antenna

- 1 Power lines** — When connecting an outdoor antenna, make sure it is located away from power lines.
- 2 Outdoor antenna grounding** — Be sure the antenna system is properly grounded to provide protection against unexpected voltage surges or static electricity build-up. Article 810 of the National Electrical Code, ANSI/NFPA70, provides information on proper grounding of the mast, supporting structure, and the lead-in wire to the antenna discharge unit, as well as the size of the grounding unit, connection to grounding terminals, and requirements for grounding terminals themselves.

Antenna Grounding According to the National Electrical Code



NEC-NATIONAL ELECTRICAL CODE

Maintenance

Clean the unit only as recommended in the Operating Instructions.

Damage Requiring Service

Have the unit serviced by a qualified service technician if:

- The AC power cord or plug has been damaged
- Foreign objects or liquid have gotten inside the unit
- The unit has been exposed to rain or water
- The unit does not seem to operate normally
- The unit exhibits a marked change in performance
- The unit has been dropped, or the cabinet has been damaged

DO NOT ATTEMPT TO SERVICE THE UNIT YOURSELF.

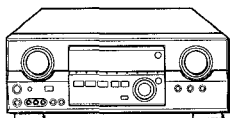
TABLE OF CONTENTS

PRECAUTIONS	1
PREPARATIONS	
CONNECTIONS	3
BEFORE OPERATION	7
SOUND	
CUSTOM AUDIO ADJUSTMENT	8
ELECTRONIC GRAPHIC EQUALIZER	9
DSP SURROUND	10
BASIC OPERATIONS	
SELECTION OF AUDIO/VIDEO SOURCE	11
RECORDING AN AUDIO SOURCE	12
RADIO RECEPTION	
MANUAL TUNING	13
PRESETTING STATIONS	14
DOLBY SURROUND	
SELECTING DOLBY PRO LOGIC	15
ADJUSTING SPEAKER LEVEL BALANCE	16
TIMER	
SETTING THE CLOCK	17
SETTING THE SLEEP TIMER	17
GENERAL	
CARE AND MAINTENANCE	18
SPECIFICATIONS	18
TROUBLESHOOTING GUIDE	19
PARTS INDEX	20

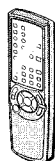
En

Check your unit and accessories

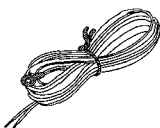
AV-D35 Stereo receiver



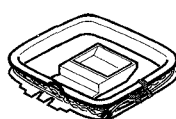
Remote control



FM antenna



AM antenna



Operating Instructions, etc.

CONNECTIONS

Before connecting the AC cord

The rated voltage of your unit shown on the rear panel is 120 V AC. Check that the rated voltage matches your local voltage.

IMPORTANT

Connect the speakers, antennas, and all other external equipment first. Then connect the AC cord at the end.

CONNECTING EQUIPMENT

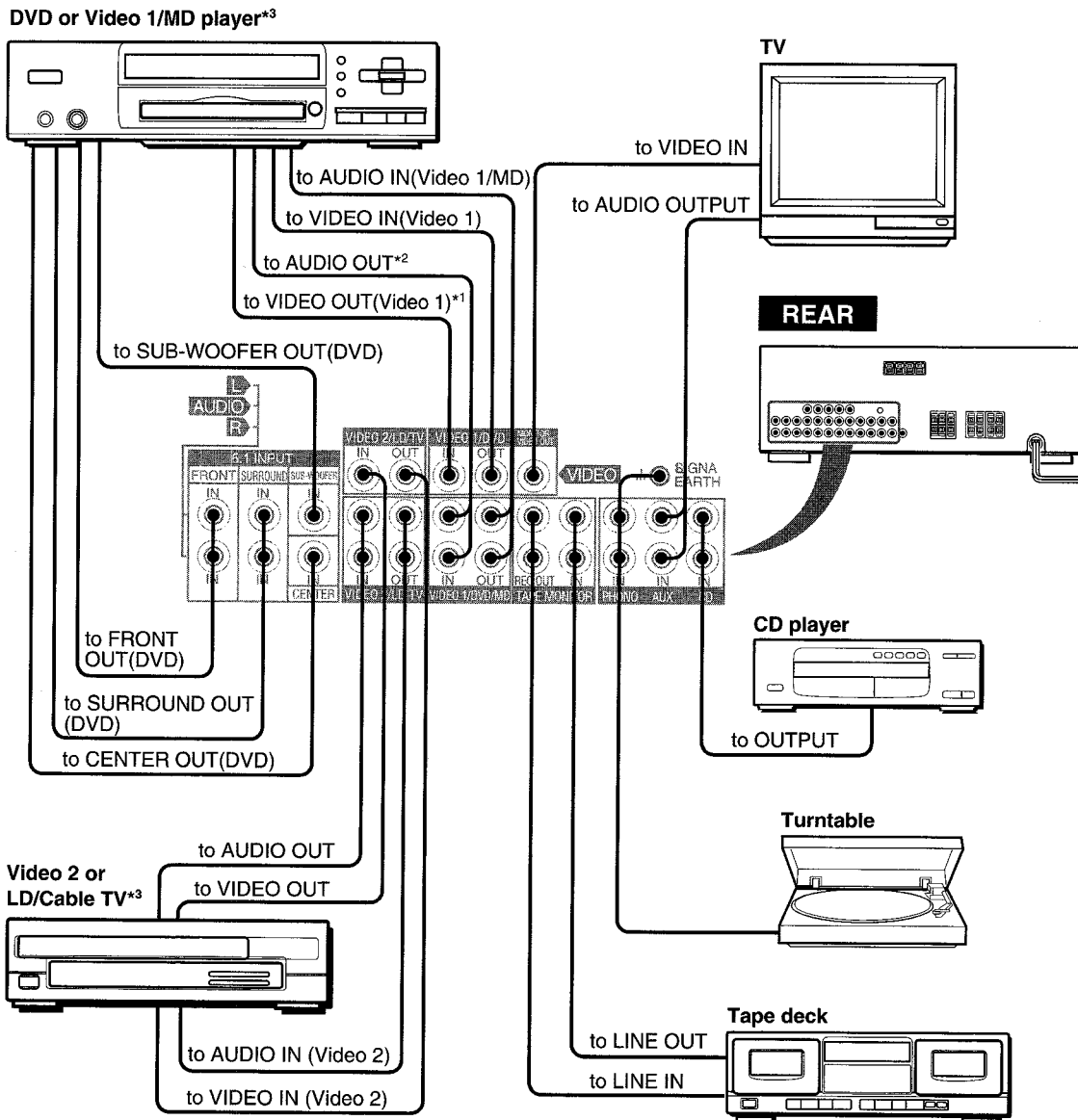
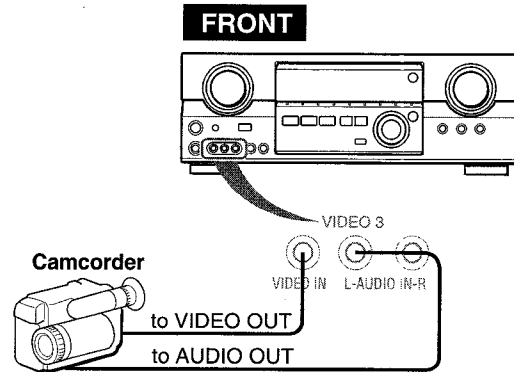
Jacks and plugs of the connecting cord are color-coded as follows:

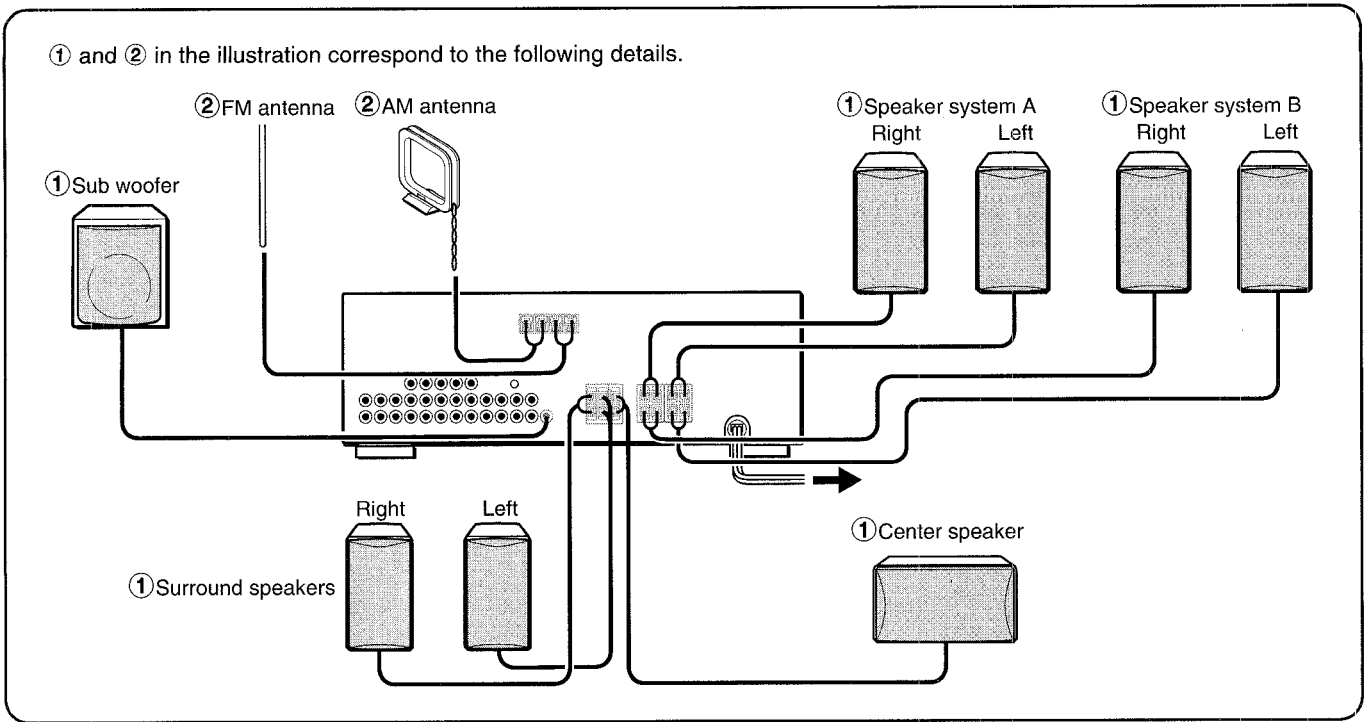
- Red jacks and plugs : For the right channel of audio signals
- White jacks and plugs: For the left channel of audio signals
- Yellow jacks and plugs: For video signals.

NOTE

Insert the plugs fully into the jacks. Loose connections may produce a humming sound or other noise interference.

- *1 Be sure to connect the VIDEO OUT terminal of a DVD player directly to a TV set, not through this unit. Otherwise, the picture noise may appear when playing the DVDs copy protected.
- *2 Input sound through the 5.1 INPUT terminals cannot be recorded. When recording the sound from the DVD player, connect the AUDIO OUT (DOWN MIXING) terminals of the DVD player to the VIDEO 1/DVD/MD AUDIO IN terminals of the unit.
- *3 When connecting a monaural video, use a stereo-mono connecting cord (not supplied).





CONNECTING SPEAKERS ①

Speaker terminals

Connect front speakers (system A and/or B), a center speaker, surround speakers and sub woofer to the corresponding speaker terminals on the unit:

- the front speaker cords to the FRONT SPEAKERS terminals
- the center speaker cord to the CENTER SPEAKER terminals
- the surround speaker cords to the SURROUND SPEAKERS terminals.
- for more powerful bass, the sub woofer (with a built-in amplifier) cord to the SUPER WOOFER jack

Speaker impedance

For all speakers, use speakers of 8 ohms or more.

Connecting + to +, - to - terminals

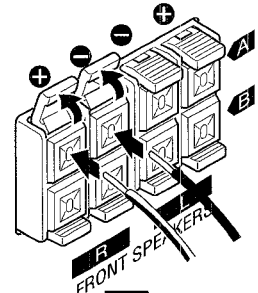
To get the proper sound effect, the speaker terminals on the unit and the speaker should be connected with proper polarity; the + terminal on the unit should be connected to the + terminal on the speaker (and - to -).

NOTE

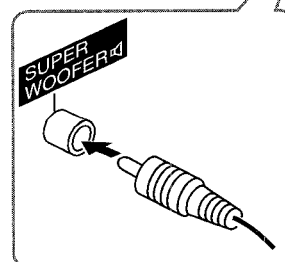
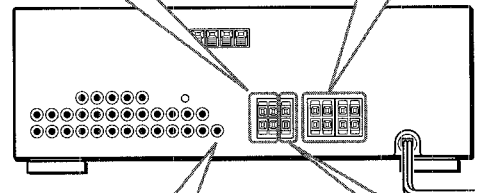
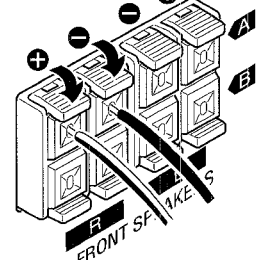
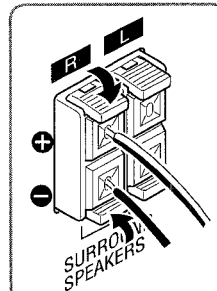
- Be sure to connect the speaker cords correctly as shown in the illustration on the right column. Improper connections can cause short circuits in the SPEAKER(S) terminals.
- Do not leave objects generating magnetism near the speakers.

Front speakers

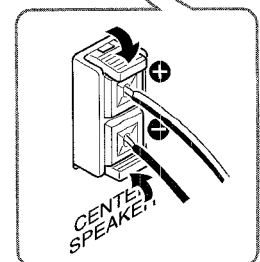
Lift up the terminal flap, insert the speaker cord lead into the terminal slot, then close the flap. Check that the cord is connected securely.



Surround speakers



Sub woofer



Center speaker

En

POSITIONING THE SPEAKERS

Position the speakers to make the most of the Dolby Digital Surround (5.1 CH), Dolby Pro Logic or DSP effect.

a Front speakers

b Center speaker

Position in the center of the two front speakers. In addition, position on or below the TV set, if connecting a TV set to the unit.

c Surround speakers

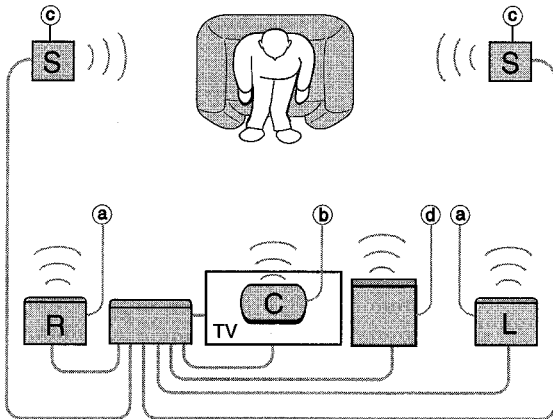
Place the surround speakers directly to the side of or slightly behind the listening area. Align them horizontally, about 1 meter (3.2 feet) above ear height.

d Sub woofer

Place the sub woofer in any place between the two front speakers.

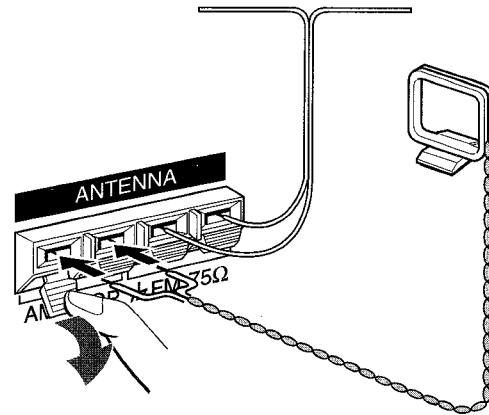
NOTE

Sound from the surround speakers or center speaker depends on the setting of the DSP, Dolby Pro Logic and 5.1 CH function.

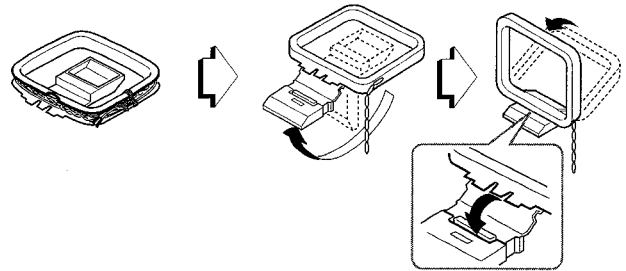


CONNECTING THE SUPPLIED ANTENNAS ②

Connect the FM antenna to the FM 75 Ω terminals and the AM antenna to the AM LOOP terminals.



To stand the AM loop antenna on a surface
Fix the claw to the slot as shown in the illustration.



To position the antennas

FM feeder antenna:

Extend this antenna horizontally in a T shape and fix its ends to the wall.

AM loop antenna:

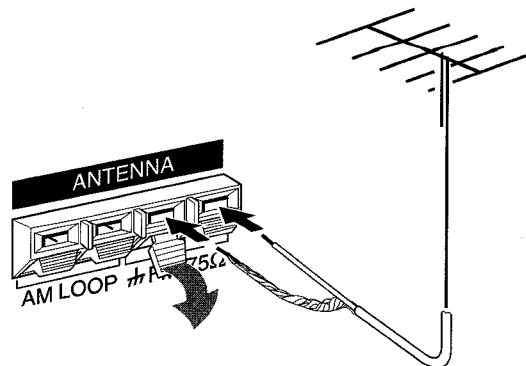
Position for the best reception.

NOTE

- Do not bring the FM antenna near metal objects or curtain rails.
- Do not bring the AM antenna near other external equipment, the unit itself, the AC power cord or speaker cords, as noise will be picked up.
- Do not unwind the AM loop antenna wire.

CONNECTING AN OUTDOOR ANTENNA

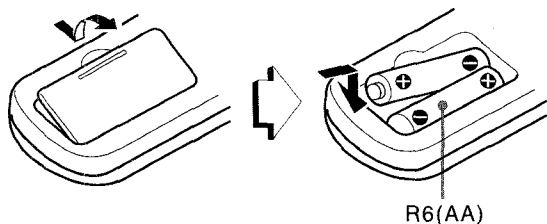
For better FM reception, use of an outdoor antenna is recommended. Connect the outdoor antenna to the FM 75 Ω terminals.



ABOUT THE REMOTE CONTROL

Inserting batteries

Detach the battery cover on the rear of the remote control and insert two R6 (size AA) batteries.



When to replace the batteries

The maximum operational distance between the remote control and the sensor on the unit should be approximately 5 meters (16 feet). When this distance decreases, replace the batteries with new ones.

Using the remote control

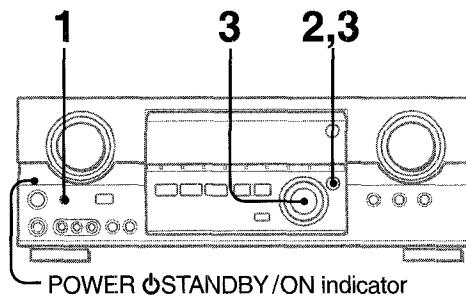
The instructions in this manual refer mainly to the buttons on the main unit. Buttons on the remote control with the same names as those on the main unit can be used as well.

The SET button functions in the same way as the ENTER button on the main unit.

NOTE

- If the unit is not going to be used for an extended period of time, remove the batteries to prevent possible electrolyte leakage.
- The remote control may not operate correctly when:
 - The line of sight between the remote control and the remote sensor in the display window is exposed to intense light, such as direct sunlight.
 - Other remote controls are used nearby (those of television, etc.)

POWER ECONOMIZING (ECO) MODE



Setting this unit to the ECO mode reduces power consumption as below.

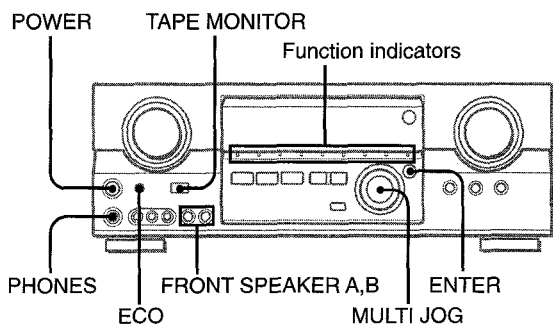
Initial setting of the ECO mode is ON.

- When the current time is set, the clock display disappears immediately.
- While the power is off, all the display lights turn off, and only the POWER STANDBY/ON indicator lights in red.

To cancel the ECO mode

- 1 Press the ECO button to display ECO MODE while the unit is turned on.
- 2 Within 4 seconds, press the ENTER button.
- 3 Within 4 seconds, turn the MULTI JOG to select ECO OFF. The mode will be automatically set after 4 seconds. It will also be set if the ENTER button is pressed within 4 seconds after step 3.

BEFORE OPERATION



To turn the unit on

Press the POWER button.

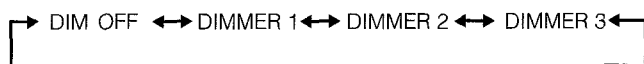
Operation is possible after four seconds. When the POWER button is pressed to turn on, the VOL (volume) level or function name is displayed one after the other.

The selected function indicator lights up in red and the others in green.

To change the brightness level of the display

- 1 Press ECO so that "ECO MODE" is displayed.
- 2 Within 4 seconds, turn the MULTI JOG to display DIM MODE, and then press the ENTER button within 4 seconds.
- 3 Within 4 seconds, turn the MULTI JOG to select the dimmer mode as below.

The mode will be automatically set after 4 seconds. It will also be set if the ENTER button is pressed within 4 seconds after step 3.



DIM-OFF: The normal display.

DIMMER 1: The illumination of the display is dimmer than usual.

DIMMER 2: The illumination of the display is dimmer than DIMMER 1.

DIMMER 3: The illumination of the display is dimmer than DIMMER 2. The function indicators light off.

To select the front speaker system

To use speaker system A: Set the FRONT SPEAKERS A button to **ON**.

To use speaker system B: Set the FRONT SPEAKERS B button to **ON**.

To use both speaker systems: Set both the buttons to **ON**. Set the button(s) to **OFF** to turn off the speaker system(s).

NOTE

As the front speaker systems A and B are connected in series:

- The sound will be slightly decreased when using both speaker systems
- No sound can be heard if the FRONT SPEAKERS A and B buttons are set to **ON** when only one speaker system is connected

Using the headphones

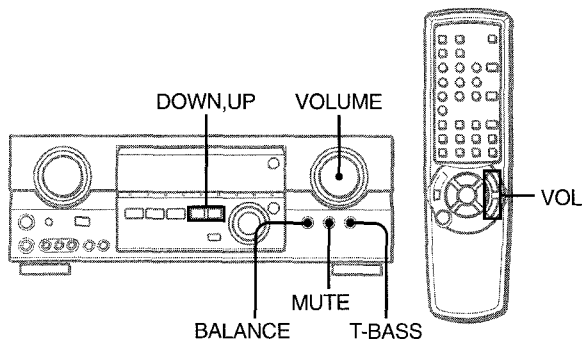
Connect headphones to the PHONES jack with a standard stereo plug (ø6.3 mm, 1/4 inch). Be sure to set the FRONT SPEAKERS A and B buttons to **OFF**. Otherwise sound is output from the speakers.

NOTE

The 5.1 CH function, Dolby Pro Logic or DSP system is automatically canceled when the headphones are plugged in.

To turn the unit off, press the POWER button.

CUSTOM AUDIO ADJUSTMENT



VOLUME CONTROL

Turn the VOLUME control on the unit, or press the VOL buttons on the remote control.

The volume level is shown on the display for four seconds. It can be adjusted between 0 and MAX (50). It flashes when being set over the level 44.

The volume level remains memorized even after the power is turned off. However, if the power is turned off when the volume is set to more than 21, it is automatically set to 20 the next time the power is turned on.

To adjust the left/right balance of the front speakers

Press the BALANCE button to display "L/R 0dB". Then press the DOWN or UP button repeatedly within four seconds.

Note that the front speakers balance of the 5.1 CH and Dolby Pro Logic modes is also changed.

To mute the sound temporarily

Press the MUTING button (-20 dB).

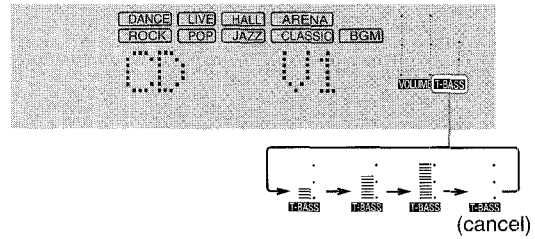
"MUTE ON" appears on the display for four seconds. While muting the sound, the selected function indicator flashes. Press the MUTING button again to restore the sound.

SUPER T-BASS SYSTEM

The T-BASS system enhances the realism of low-frequency sound.

Press the T-BASS button.

Each time it is pressed, the level changes. Select one of the three levels, or the off position to suit your preference.



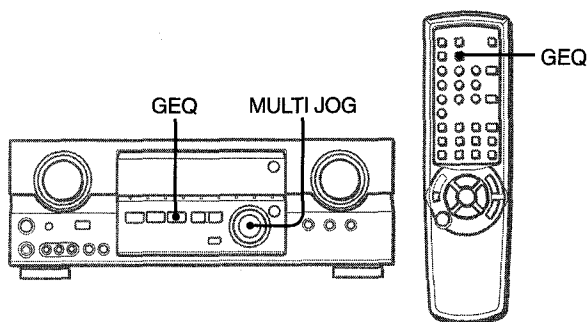
NOTE

Low-frequency sound may be distorted when the T-BASS system is used for a disc or tape in which low-frequency sound is originally emphasized. In this case, cancel the T-BASS system.

SOUND ADJUSTMENT DURING RECORDING

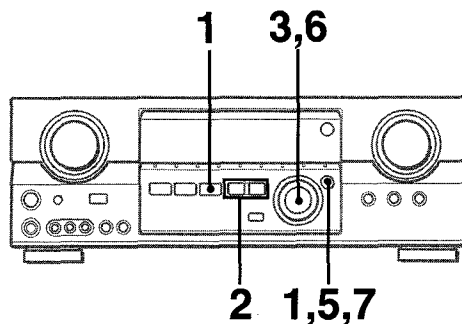
The output volume and tone of the speakers or headphones may be freely varied without affecting the level of the recording.

ELECTRONIC GRAPHIC EQUALIZER



SETTING NEW EQUALIZATION CURVES

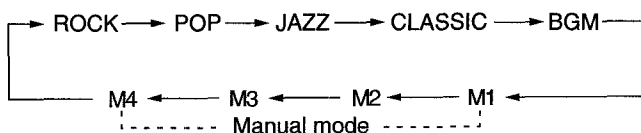
Up to 4 equalization curves can be stored as the manual modes M1 to M4.



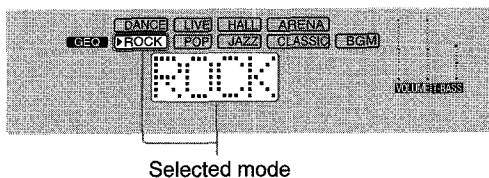
This unit provides the following five different equalization modes.

- ROCK:** Powerful sound emphasizing treble and bass
- POP:** More presence in the vocals and midrange
- JAZZ:** Accented lower frequencies for jazz-type music
- CLASSIC:** Enriched sound with heavy bass and fine treble
- BGM:** Calm tone with suppressed bass and treble

Press the **GEQ (Graphic Equalizer) button**, and turn the **MULTI JOG** until the desired equalization mode is displayed. The GEQ modes are displayed cyclically as follows.



The selected mode name is displayed for four seconds, and the ► indicator appears on the left side of the selected mode name.



To cancel the selected mode

Press the GEQ button again. "GEQ OFF" appears on the display.

To select with the remote control

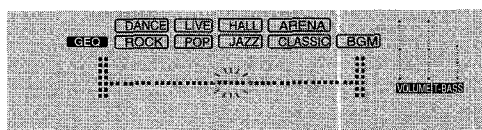
Press the GEQ button repeatedly until the desired equalization mode is displayed.

Five preset modes, the manual modes M1 to M4 and "GEQ OFF" can be selected.

NOTE

- The GEQ system is automatically canceled:
 - when the Dolby Pro Logic is turned on
 - when the 5.1CH function is selected
- The GEQ system cannot be turned on while the 5.1CH function is selected.

- 1 Press the GEQ button and press the ENTER button within 4 seconds.**



- 2 Press the DOWN or UP button to select a frequency.**

The level indicator of the selected frequency flashes.

- 3 Turn the MULTI JOG to adjust the level of the selected frequency.**

- 4 Repeat steps 2 and 3 to make the desired equalization curve.**

In steps 2 and 3, the unit returns to normal mode when no operation is made for about 8 seconds.

- 5 Within 8 seconds, press the ENTER button.**

"GEQ M1" appears on the display.

- 6 Turn the MULTI JOG to select a preset number from M1 to M4.**

- 7 Press the ENTER button.**

The equalization curve is stored.

The selected preset number and the equalization curve are displayed for a few seconds for each.

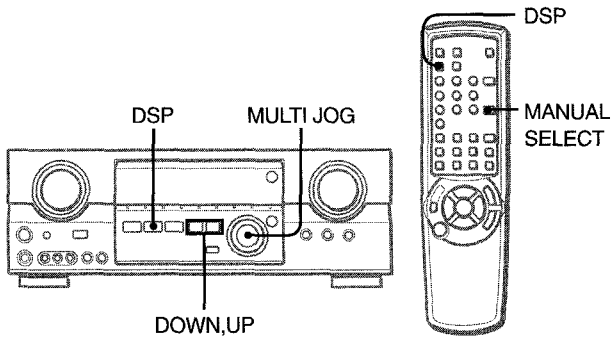
To adjust the GEQ curve temporarily

Follow the steps from 1 to 4 above. The adjusted GEQ curve still remains before changing or canceling the GEQ mode.

To select the manual preset curve

Press the GEQ button, and turn the MULTI JOG until the desired manual preset number is displayed.

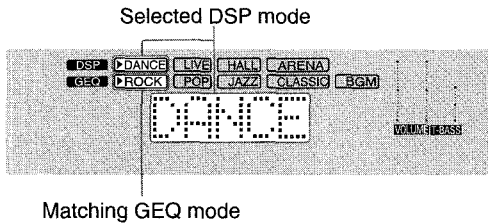
DSP SURROUND



The DSP (Digital Signal Processor) surround circuits can recreate the effect of sounds reflected from walls or ceilings, to obtain the sound presence of real environments. There are four modes with matching graphic equalization modes. Equalization modes are selected automatically and can also be selected or turned off to suit your preference.

Press the DSP button, and turn the MULTI JOG until the desired DSP mode is displayed.

The selected mode name is displayed for four seconds, and the indicators ► appears on the left sides of the selected DSP name and matching GEQ mode name.



When the music source is monaural

Select LIVE to obtain a simulated stereo effect. When DANCE, HALL or ARENA is selected, no sound will be heard from the surround speakers.

To cancel the selected mode

Press the DSP button again. "DSP OFF" appears on the display. Even if canceling the selected DSP mode, the matching or selected GEQ mode still remains.

To select with the remote control

Press the DSP button repeatedly until the desired DSP mode is displayed. Four DSP modes and "DSP OFF" can be selected.

To adjust the volume and balance of the surround speakers

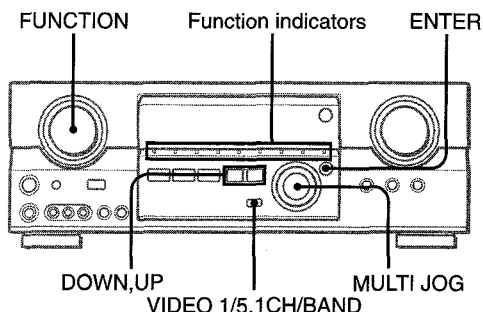
Press the MANUAL SELECT button on the remote control twice or three times, while the DSP system is turned on, to display "S-R 0dB" (for right surround speaker) or "S-L 0dB" (for left surround speaker). Then press the DOWN or UP button repeatedly within four seconds.

Note that the surround speakers volume and balance of the 5.1 CH and Dolby Pro Logic modes are also changed.

NOTE

- The DSP system is automatically canceled:
 - when the Dolby Pro Logic is turned on
 - when the 5.1 CH function is selected
- The DSP system cannot be turned on:
 - while the 5.1 CH function is selected
 - while headphones are plugged in

SELECTION OF AUDIO/VIDEO SOURCE



1 Select the program source.

Turn the FUNCTION selector or press the TAPE MONITOR button. The selected function indicator flashes in red.

To listen to or watch	The flashing indicator
Tape	TAPE MONITOR
Radio	TUNER
Record	PHONO
Compact disc	CD
Television, etc.	AUX
Video	VIDEO 1/DVD/MD, VIDEO 2/LD/TV, VIDEO 3
LD or Cable TV	VIDEO 2
MD or DVD	VIDEO 1/DVD/MD

To select a function on the remote control

Press the desired function button directly.

The function to be selected (except PHONO) depend on the equipment connected to the input terminals on the rear panel of the unit.

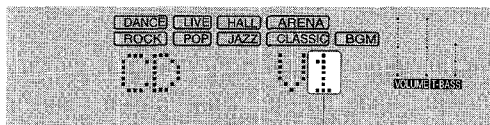
NOTE

When using a turntable with a built-in equalizer amplifier, set the switch of the equalizer amplifier to off. See the instructions of the turntable for further information.

2 Start the selected program source.

3 Adjust the sound.

About the video source to the monitor or TV



Selected video source

V1: VIDEO1, V2: VIDEO2, V3: VIDEO3

The selected video source is indicated on the display and the video signal through the MONITOR VIDEO OUT jack is output on the TV.

To select the video source

- 1 Select one of the functions except TUNER.
- 2 Press the ENTER button to display VIDEO 1.
- 3 Turn the MULTI JOG to select VIDEO 2 or VIDEO 3.

To change a displayed name for the VIDEO 1 and VIDEO 2

When the VIDEO 1 is selected, VIDEO 1 is displayed initially. It can be changed to DVD or MD.

Press the VIDEO 1/5.1CH/BAND button while pressing the ENTER button.

To use the 5.1CH function, press the VIDEO 1/5.1CH/BAND button. The function name will change to "5.1 ch IN" and the source connected to the 5.1 INPUT terminals is selected.

To resume, press the button again so that the selected function name is displayed.

The displayed name for VIDEO 2 button can be changed to VIDEO 2, LD or TV; while the VIDEO 2 function is selected, press the VIDEO 1/5.1CH/BAND button while pressing the ENTER button.

To adjust the sound level of the connected source

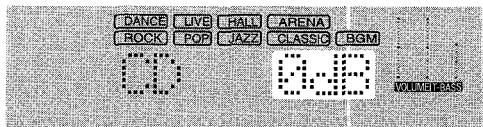
The input sensitivity level of each function (except the TUNER function) can be adjusted.

When the sound level of the connected source is higher or lower than that of the TUNER, adjust it as follows.

1 Select the function to be adjusted.

Turn the MULTI JOG accordingly and play the source.

2 Press the UP or DOWN button repeatedly.



The level can be adjusted between -6dB (MIN) and +8dB (MAX) in 2dB steps. Adjust the level so that the sound is output at the same level as the TUNER.

NOTE

- The input sensitivity level of the TUNER function cannot be adjusted.
- That of the TAPE MONITOR cannot be adjusted either. Even if the TAPE MONITOR is selected and the TAPE MONITOR indicator turns red, pressing the UP or DOWN button will change the level of the function displayed on the window.

TO PLAY A DVD RECORDED IN DOLBY DIGITAL SURROUND

This receiver has the 5.1 INPUT connectors supporting Dolby Digital decoder with the 5.1 ch output terminals. When a DVD player that contains a Dolby Digital decoder is connected to the receiver, you can enjoy theater-quality audio right in your home when playing discs recorded in Dolby Digital Surround.

1 Turn the FUNCTION selector to select the VIDEO 1/DVD/MD function.

2 Press the VIDEO 1/5.1CH/BAND button.



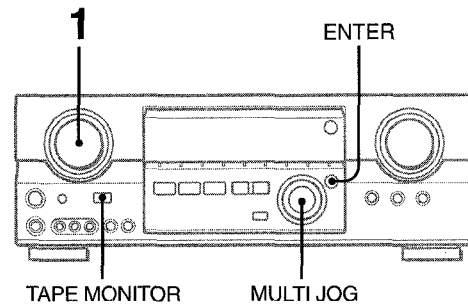
"5.1 ch IN" appears on the display and the DVD player connected to the 5.1 INPUT terminals is selected as a source.

3 Start playing the DVD recorded in Dolby Digital Surround.

NOTE

- The 5.1 CH function is automatically canceled and the VIDEO 1, DVD or MD function is selected:
 - when the Dolby Pro Logic is turned on
 - when headphones are plugged in
- The 5.1 CH function cannot be selected while headphones are plugged in.

RECORDING AN AUDIO SOURCE



1 Select the program source to be recorded.

Turn the FUNCTION selector.

2 Set the tape deck or MD recorder to the recording mode.

3 Start the selected program source.

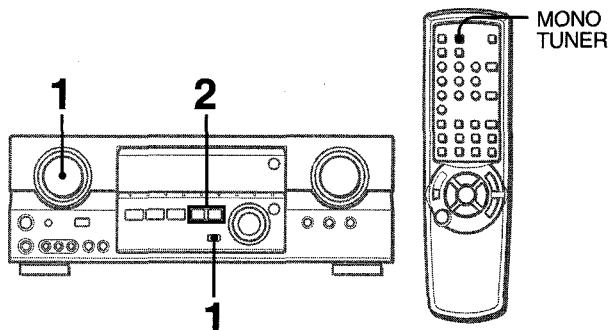
To monitor recorded sound during recording (when the connected tape deck is a three-head system)

Press the TAPE MONITOR button. "TAPE ON" appears on the display for four seconds, and then the source name selected in step 1 comes back on. To cancel the tape monitor, press it again so that "TAPE OFF" appears.

NOTE

- Any sound control system has no effect on recording (see page 8).
- Input sound through the 5.1 INPUT terminals cannot be recorded. When recording the sound from the DVD player, connect the AUDIO OUT (DOWN MIXING) terminals of the DVD player to the VIDEO 1/DVD/MD AUDIO IN terminals of the unit.
- When recording sources by the MD recorder connected to the VIDEO 1/DVD/MD AUDIO OUT terminals, first press the ENTER button to display VIDEO 1, and turn the MULTI JOG to select VIDEO 2 or VIDEO 3. Then select the source (V2 or V3 should be displayed).
Recording cannot be done while the V1 indication is displayed on the window.
- Input sound from the tape deck connected to the TAPE MONITOR IN terminals cannot be recorded.

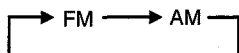
MANUAL TUNING



To change the AM tuning interval

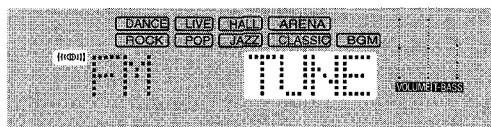
The default setting of the AM tuning interval is 10 kHz/step. If you use this unit in an area where the frequency allocation system is 9 kHz/step, change the tuning interval. Hold down the VIDEO 1/5.1CH/BAND button and press the POWER button. To reset the interval, repeat this procedure.

- 1 Turn the **FUNCTION** selector to select the **TUNER** function, and press the **VIDEO 1/5.1CH/BAND** button repeatedly to select the desired band.



The display changes to frequency indications after indicating band and video source (V1, V2 or V3) for two seconds.

- 2 Press the **UP** or **DOWN** button to select a station. Each time the button is pressed, the frequency changes. When a station is received, "TUNE" is displayed for two seconds. During FM stereo reception, ((Ⓜ)) is displayed.



To search for a station quickly (Auto Search)

Keep the UP or DOWN button pressed until the tuner starts searching for a station. After tuning in to a station, the search stops.

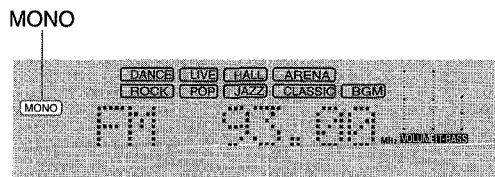
To stop the Auto Search manually, press the UP or DOWN button.

- The Auto Search may not stop at stations with very weak signals.

When an FM stereo broadcast contains noise

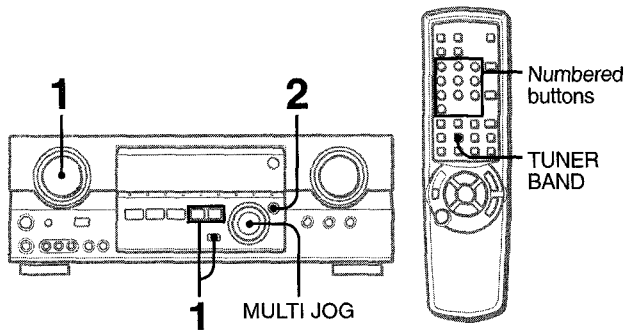
Press the MONO TUNER button on the remote control so that "MONO" appears on the display.

Noise is reduced, although reception is monaural.



To restore stereo reception, press the button so that "STEREO" appears.

PRESETTING STATIONS

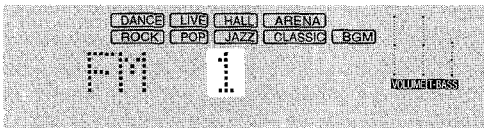


The unit can store a total of 32 preset stations. When a station is stored, a preset number is assigned to the station. Use the preset number to tune in to a preset station directly.

1 Turn the FUNCTION selector to select the TUNER function, and press the VIDEO 1/5.1CH/BAND button repeatedly to select the desired band. Then press the UP or DOWN button to select a station.

2 Press the ENTER button to store the station.

A preset number assigned to the station, beginning from 1 in consecutive order for each band, is displayed for two seconds.



3 Repeat steps 1 and 2.

No more stations will be stored if a total of 32 stations have already been stored for all the bands.

NOTE

When the AM tuning interval is changed, all preset stations are cleared. The preset stations have to be set again.

PRESET NUMBER TUNING

1 Turn the FUNCTION selector to select the TUNER function, and press the VIDEO 1/5.1CH/BAND button repeatedly to select a band.

2 Turn the MULTI JOG to select a preset number.

To clear a preset station

Select the preset number of the station to be cleared. Then, press the ENTER button, and press the ENTER button again within four seconds.

The preset numbers of all other stations in the band with higher numbers are decreased by one.

When using the remote control

Press the TUNER BAND button to select a band, then press the numbered buttons to select a preset number.

Example:

To select preset number 25, press 2 and 5.

To select preset number 7, press 0 and 7.

DOLBY SURROUND

This unit is equipped with the Dolby Pro Logic decoder and also supports the Dolby Digital decoder with the 5.1 ch output terminals.

The unit and the center and surround speakers (standard) assure full-scale home theater sound. When playing back discs or video software that have been recorded in Dolby Pro Logic or Dolby Digital Surround, astonishingly realistic sound surrounds the listener to create a new level of audio/visual entertainment.

Independent control of the five channels allows the listener to enjoy the same type of sound reproduction experienced in movie theaters. Voices are reproduced in the front and center sound field, while ambient sounds like cars and crowds are reproduced on all sides of the listener for an incredibly lifelike audio/video experience. Please read the following carefully to "tune" the system's output to match the characteristics of your listening space.

Check the following:

- Before enjoying the DOLBY SURROUND sound, adjust the proper balance of the speaker sound levels (see page 16).
- Make sure the speakers are properly connected and positioned (see pages 3, 4 and 5).
- Make sure the TV set and video unit are properly connected (see page 3).
- Make sure the disc and video tape, etc., support Dolby Pro Logic or Dolby Digital Surround.

SELECTING DOLBY PRO LOGIC

The optimal Dolby Pro Logic mode depends on the type and placement of the speakers. It is recommended that the optional Aiwa speakers should be used for all channels, for example, the SX-R1700 for surround speakers, the SX-C1700 for a center speaker and the SX-AV1700 for front speakers. Check your current type and placement of the speakers and select the recommended Dolby Pro Logic mode accordingly.

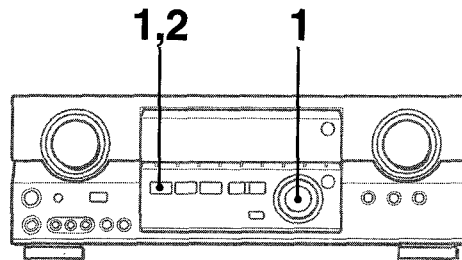
The recommended mode

	Center speaker		
	Larger-size	Smaller-size	No speaker
Surround speaker (Rear speaker)	DOLBY PRO LOGIC-WIDE	DOLBY PRO LOGIC-NORMAL	PHANTOM
No surround speaker	3 STEREO-WIDE	3 STEREO-NORMAL	-

PHANTOM mode: Select this mode when the center speaker is not connected. All center channel signals are redistributed to the left and right channel speakers.

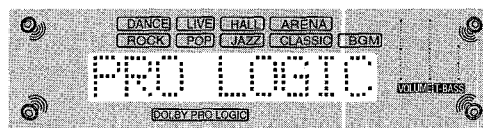
3 STEREO mode: Select this mode when the surround speakers are not connected.

TO SELECT A DOLBY PRO LOGIC MODE



- 1 Press the DOLBY SURROUND button, and turn the MULTI JOG to select the appropriate mode.

The mode names are displayed in the order as shown below.




→ PRO LOGIC → PHANTOM → 3 STEREO →

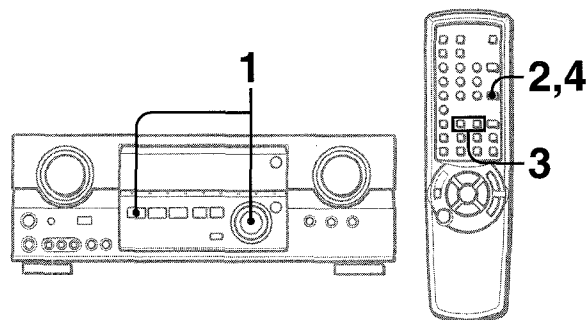
- 2 Press the DOLBY SURROUND button again and hold it down until the center speaker mode to be selected appears. (Except the PHANTOM mode.)

"NORMAL" and "WIDE" appear one after the other.

NOTE

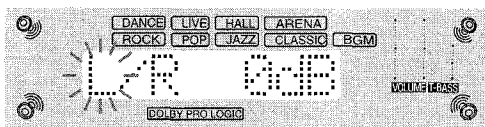
- Depending on the sound source or listening condition, surround effect may not be obtained even when the Dolby Pro Logic is set to on.
- The full Dolby Pro Logic effect cannot be obtained when using the software without  mark. In this case, use the DSP surround system instead (see page 10).
- The Dolby Pro Logic system is automatically canceled:
 - when the DSP system is turned on
 - when the GEQ system is turned on
 - when the 5.1 CH function is selected
 - when headphones are plugged in
- The Dolby Pro Logic cannot be set to on while headphones are plugged in.

ADJUSTING SPEAKER LEVEL BALANCE



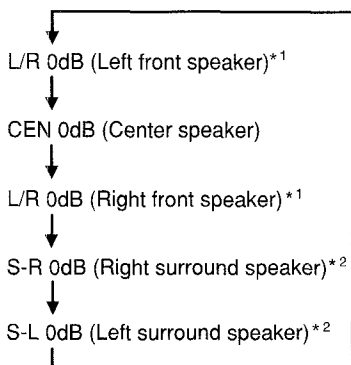
The unit is equipped with a built-in test signal generator called a noise sequencer for easy balance adjustment of all five channels. The sequencer outputs a noise signal that “travels” from channel to channel, enabling the simple adjustment of sound level to achieve the same apparent loudness, at your listening position, from each channel.

- 1 Select the Dolby Pro Logic mode according to your current type and placement of the speakers. (See page 15.)
- 2 Press the MANUAL SELECT button on the remote control and hold it down for about two seconds until “L” or “L/R 0dB” starts to flash.

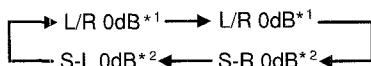


A noise signal is sent to each channel in turn as follows:

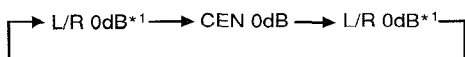
DOLBY PRO LOGIC NORMAL or WIDE mode



DOLBY PRO LOGIC PHANTOM mode



3 STEREO NORMAL or WIDE mode

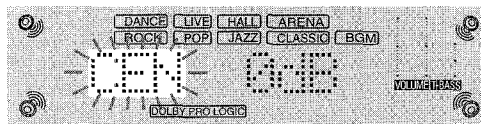


*1 “L” or “R” flashes to indicate one of the front speakers from which the noise signal is output.

*2 The noise signal is output from the L and R surround speakers at the same time.

3 Adjust the sound level of the center and surround speakers.

While “CEN”, “S-L” or “S-R” flashes in the display, press the UP or DOWN button on the remote control so that the sound level of the center or surround speakers matches that of the front speakers.



The balance of the front speakers can be adjusted as well while “L/R” is displayed.

4 Press the MANUAL SELECT button again to stop the noise signal.

NOTE

When adjusting the speakers level balance of the Dolby Pro Logic, those of the DSP and 5.1 CH modes are also changed.

About the channels

The left and right speakers create the stereo effect.

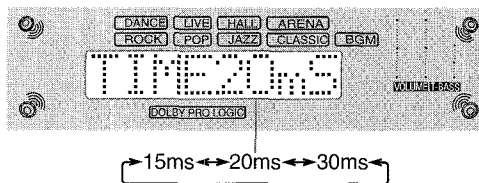
The center speaker helps achieve precise sound positioning over a broad sound field.

The rear-mounted surround speakers enhance the “depth” of the sound field.

To change the surround speakers delay time of the Dolby Pro Logic mode

The surround speakers reproduce sounds a split second after the front speakers. The delay is initially set to 20 ms (milliseconds).

To change this standard delay time, press the MANUAL SELECT button on the remote control repeatedly so that “TIME20mS” is displayed. Then, press the UP or DOWN button. Each time one of the buttons is pressed, the delay time changes as shown below.

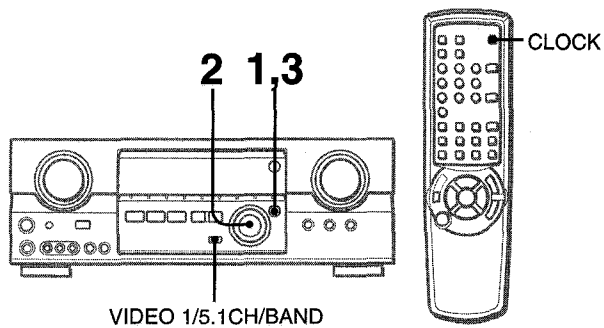


To adjust the speakers level balance while listening to the source (Dolby Pro Logic and 5.1 CH modes)

The speakers level balance can be changed after adjusting it with the noise sequencer. The balance can be changed whenever the Dolby Pro Logic system is turned on or the 5.1 CH function is selected.

- 1 Play a disc or video software recorded in Dolby Pro Logic or Dolby Digital Surround.
- 2 Press the MANUAL SELECT button on the remote control repeatedly so that “L/R”, “CEN”, “S-L”, “S-R” or “S-W” (for sub woofer in 5.1 CH mode) appears on the display.
- 3 Press the UP or DOWN button while the speaker name to be adjusted is displayed.

SETTING THE CLOCK

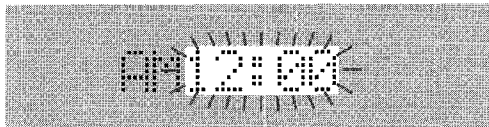


When the AC cord is connected for the first time, the clock on the display flashes.

Set the time as follows while the power is off.

1 Press the ENTER button.

The display becomes a little brighter.



2 Turn the MULTI JOG to designate the hour and the minute.

The time advances by turning it to right, and decreases by turning it to left.

3 Press the ENTER button.

The clock starts from 00 second.

Note

When the clock is set for the first time after purchase

Everything on the display will clear.

This is because the power economizing mode of the unit is activated, and is not a malfunction.

The power economizing mode can be canceled. See page 6 for details.

To correct the current time

Press the POWER button to turn the unit off. Press the ENTER button and carry out steps 1 to 5 above.

To display the current time

Press the CLOCK button on the remote control. The clock is displayed for 4 seconds.

To switch to the 24-hour standard

Press the VIDEO 1/5.1CH/BAND button while the current time is displayed.

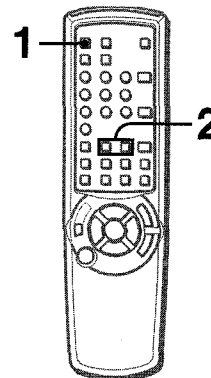
Repeat the same procedure to restore the 12-hour standard.

If the clock display flashes while the power is off

This is caused by a power interruption. The current time needs to be reset.

If power is interrupted for more than approximately 24 hours, all settings stored in memory after purchase need to be reset.

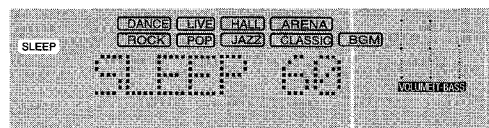
SETTING THE SLEEP TIMER



The receiver can be automatically turned off at a specified time.

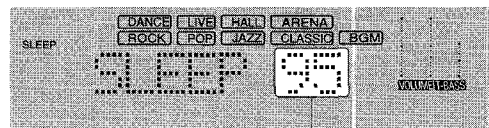
Use the remote control.

1 Press the SLEEP button.



2 Press the UP or DOWN button within four seconds to specify the time until the power is turned off.

Each time the button is pressed, the time changes between 5 and 240 minutes in 5-minute steps.



Specified time

The time can also be selected by the MULTI JOG on the main unit.

To check the time remaining until the power is turned off

Press the SLEEP button once. The remaining time is displayed for four seconds.

To cancel the sleep timer

Press the SLEEP button twice so that "SLEEPoFF" on the display appears.

CARE AND MAINTENANCE

Occasional care and maintenance of the unit is needed to optimize the performance of your unit.

To clean the cabinet

Use a soft dry cloth.

If the surfaces are extremely dirty, use a soft cloth lightly moistened with mild detergent solution. Do not use strong solvents, such as alcohol, benzine or thinner as these could damage the finish of the unit.

SPECIFICATIONS

FM tuner section

Tuning range	87.5 MHz to 108 MHz
Usable sensitivity (IHF)	13.2 dBf
Antenna terminals	75 ohms (unbalanced)

AM tuner section

Tuning range	530 kHz to 1710 kHz (10 kHz step), 531 kHz to 1602 kHz (9 kHz step)
Usable sensitivity	350 μ V/m
Antenna	Loop antenna

Amplifier section

Power output	[Stereo Mode] Front 100 watts per channel, Min. RMS at 8 ohms, from 40 Hz to 20 kHz, with no more than 0.9% Total Harmonic Distortion [Dolby Pro Logic or 5.1 CH Mode] Front 60 watts per channel, Min. RMS at 8 ohms, from 40 Hz to 20 kHz, with no more than 0.9% Total Harmonic Distortion Rear (Surround) 60 watts per channel, Min. RMS at 8 ohms, 1 kHz, with no more than 0.9% Total Harmonic Distortion Center 60 watts, Min. RMS at 8 ohms, 1 kHz, with no more than 0.9% Total Harmonic Distortion
Total harmonic distortion	0.08 % (40 W, 1 kHz, 8 ohms, Front)
Inputs	AUDIO IN PHONO: 2.5 mV, adjustable (47 kohms) CD, VIDEO 1/DVD/MD, VIDEO 2/LD/TV, VIDEO 3: 250 mV, adjustable (47 kohms) TAPE MONITOR: 350 mV (47 kohms) AUX: 200 mV, adjustable (47 kohms) 5.1 INPUT FRONT, CENTER: 400 mV, adjustable (47 kohms) SURROUND: 400 mV, adjustable (47 kohms) SUB-WOOFER: 400 mV, adjustable (47 kohms) VIDEO IN: 1 Vp-p (75 ohms)

Outputs

AUDIO OUT (REC OUT): 200 mV (1 kohm)
VIDEO OUT (MONITOR): 1 Vp-p (75 ohms)
SUPER WOOFER: 1.2 V
FRONT SPEAKERS IMP: 8Ω
(front speakers A and B): accepts speakers of 8 ohms or more.
SURROUND SPEAKERS IMP: 8Ω
(surround speakers): accepts speakers of 8 ohms or more
CENTER SPEAKER IMP: 8Ω: accepts a speaker of 8 ohms or more.
PHONES (stereo jack): accepts headphones of 32 ohms or more
-20 dB

Muting

General

Power requirements 120 V AC, 60 Hz
Power consumption 125 W
Dimensions 430 × 155 × 351 mm
(W × H × D) (17 × 6¹/₈ × 13⁷/₈ in.)
Weight 10 kg (22 lb 1 oz.)

Specifications and external appearance are subject to change without notice.

DOLBY PRO LOGIC

Manufactured under license from Dolby Laboratories Licensing Corporation.

"DOLBY" the double-D symbol  and "PRO LOGIC" are trademarks of Dolby Laboratories Licensing Corporation.

TROUBLESHOOTING GUIDE

If the unit fails to perform as described in these Operating Instructions, check the following guide.

GENERAL

There is no sound.

- Is the AC cord connected properly?
- Is there an incorrect connection? (→ page 3)
- There may be a short circuit in the speaker terminals.
→ Disconnect the AC cord, then correct the speaker connections.
- Was an incorrect function button pressed?
- Was the TAPE MONITOR button pressed?
- Are the FRONT SPEAKERS A and B buttons set correctly? (→ page 6)

Sound is emitted from one speaker only.

- Is the BALANCE set appropriately?
- Is the other speaker disconnected?

Sound is heard at a very low volume.

- Has the MUTING button been pressed?

An erroneous display or a malfunction occurs.

- Reset the unit as stated below.

TUNER SECTION

There is constant, wave-like static.

- Is the antenna connected properly? (→ page 5)
- Is the FM signal weak?
→ Connect an outdoor antenna.

The reception contains noise interference or the sound is distorted.

- Is the system picking up external noise or multipath distortion?
→ Change the orientation of the antenna.
→ Move the unit away from other electrical appliances.

To reset

If an unusual condition in the display window or malfunction occurs, reset the unit as follows.

- 1 Press the POWER button to turn off the power.
- 2 Press the POWER button while pressing the ENTER button.
Everything stored in memory after purchase is canceled.

If the power cannot be turned off in step 1 because of a malfunction, reset by disconnecting the AC cord and carry out step 2.

PARTS INDEX

Instructions about each part on the unit or remote control are indicated on the pages listed below.

(in alphabetical order)

Parts	Pages
AUX	11
BALANCE	8
CD	11
CLOCK	17
DOLBY SURROUND	15
DOWN	10, 11, 13, 14, 16, 17
DSP	10
ECO	6, 7
ENTER	6, 7, 11, 12, 14, 17
FRONT SPEAKERS A, B	7
GEQ	9
MANUAL SELECT (TEST)	10, 16
MONO TUNER	13
MULTI JOG	6, 7, 9-12, 14, 15, 17
MULTI SELECTOR	11-14
MUTING	8
PHONES	7
PHONO	11
POWER	7, 13, 17
SET	6
SLEEP	17
TAPE MONITOR	7, 11, 12
T-BASS	8
TUNER BAND	11, 14
UP	10, 11, 13, 14, 16, 17
VIDEO 1/5.1 CH/BAND	11, 13, 14, 17
VIDEO 1/DVD/MD	11
VIDEO 2/LD/TV	11
VIDEO 3	11
VOLUME , VOL(∨, ∧)	8

ADVERTENCIA

PARA REDUCIR EL RIESGO DE INCENDIOS O SACUDIDAS ELÉCTRICAS, NO EXPONGA ESTE APARATO A LA LLUVIA NI A LA HUMEDAD.



CAUTION

RISK OF ELECTRIC SHOCK
DO NOT OPEN



"PRECAUCIÓN: PARA REDUCIR EL RIESGO DE QUE SE PRODUZCAN SACUDIDAS ELÉCTRICAS, NO quite la cubierta (o panel posterior). EN EL INTERIOR NO HAY PIEZAS QUE DEBA REPARAR EL USUARIO. SOLICITE LAS REPARACIONES AL PERSONAL DE SERVICIO CAPACITADO."

Explicación de los símbolos



El símbolo del rayo con la punta de flecha en el interior del triángulo equilátero tiene la finalidad de avisar al usuario de la presencia de "tensiones peligrosas" sin aislar en el interior del producto que podrían ser de suficiente magnitud como para constituir un riesgo de sacudida eléctrica para las personas.



El signo de exclamación en el interior de un triángulo equilátero tiene la finalidad de avisar al usuario de la presencia de instrucciones importantes de operación y mantenimiento dentro del material impreso que acompaña al aparato.

Anotación del propietario

Para su conveniencia, anote el número de modelo y el número de serie (los encontrará en el panel trasero de su aparato) en el espacio suministrado más abajo. Menciónelos cuando se ponga en contacto con su concesionario Aiwa en caso de tener dificultades.

N.º de modelo	N.º de serie (N.º de lote)
AV-D35	

PRECAUCIONES

Antes de utilizar la unidad, lea cuidadosa y completamente este manual instrucciones. Guarde el manual de instrucciones para futuras referencias. Todos los avisos y precauciones del manual de instrucciones y de la unidad deberán seguirse estrictamente, así como las sugerencias de seguridad indicadas a continuación.

Instalación

- 1 Agua y humedad** — No utilice nunca esta unidad cerca del agua, como al lado de una bañera, un lavabo, una piscina, etc.
- 2 Calor** — No utilice esta unidad cerca de fuentes térmicas, como salidas de calefacción, estufas, ni demás aparatos que generen calor.
Tampoco deberá someterse a temperaturas inferiores a 5°C (41°F) ni superiores a 35°C (95°F).
- 3 Superficie de montaje** — Coloque la unidad sobre una superficie plana y nivelada.
- 4 Ventilación** — La unidad deberá colocarse donde tenga espacio suficiente a su alrededor para asegurar su ventilación adecuada. Deje un espacio libre de 10 cm en la parte posterior y superior de la unidad, y de 5 cm a cada lado.
 - No la coloque sobre una cama, una alfombra, ni nada similar que pueda bloquear las aberturas de ventilación.
 - No la instale en una librería, un armario, ni un bastidor cerrado, donde la ventilación podría ser deficiente.
- 5 Entrada de objetos y líquidos** — Tenga cuidado de que en el interior de la unidad no entren objetos pequeños ni líquidos a través de las aberturas de ventilación.
- 6 Carritos y estantes** — Cuando haya colocado o montado la unidad sobre un estante o un carrito, deberá moverla con cuidado.
Las paradas repentinas, la fuerza excesiva, o las superficies desiguales podrían causar el vuelco o la caída de la unidad o el carrito.
- 7 Montaje en una pared o en el techo** — La unidad no deberá montarse en una pared ni en el techo, a menos que se especifique en el manual de instrucciones.



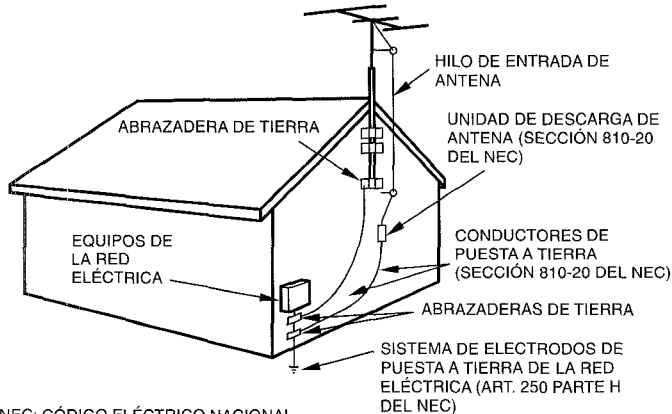
Energía eléctrica

- 1 Fuentes de alimentación** — Conecte esta unidad solamente a las fuentes de alimentación especificadas en el manual de instrucciones, y como está marcado en la unidad.
- 2 Polarización** — Como medida de seguridad, algunas unidades van equipados con enchufes de alimentación de CA que sólo pueden insertarse en el tomacorriente de una manera. Si resulta difícil o imposible introducir el enchufe de CA en un tomacorriente, deberá darle la vuelta e intentarlo de nuevo. Si aún no se inserta fácilmente en el tomacorriente, acuda a un técnico especializado para que repare o sustituya el tomacorriente. Para no desaprovechar la seguridad que ofrece el enchufe polarizado, no lo fuerce para insertarlo en un tomacorriente.
- 3 Cable de alimentación de CA**
 - Para desconectar el cable de alimentación, tire del enchufe de CA. No tire del propio cable.
 - No tome nunca el cable de alimentación de CA con las manos húmedas, ya que esto podría resultar en incendios o descargas eléctricas.
 - Los cables de alimentación deben estar firmemente sujetos para evitar que se doblen, se pincen demasiado o se pisen. Preste especial atención al cable que conecta la unidad al tomacorriente.
 - Evite sobrecargar los tomacorrientes y los cables prolongadores por encima de su capacidad, ya que esto podría resultar en incendios o descargas eléctricas.
- 4 Cable prolongador** — Para prevenir las descargas eléctricas, no utilice un enchufe de alimentación de CA polarizado con un cable prolongador, receptáculo u otro tomacorriente a menos que el enchufe polarizado pueda insertarse por completo para evitar que las clavijas queden expuestas.
- 5 Períodos sin utilización** — Cuando no vaya a utilizar la unidad durante varios meses, desenchufe el cable de alimentación de CA del tomacorriente. Cuando el cable de alimentación esté enchufado, circulará una pequeña corriente por la unidad, incluso aunque la alimentación de la misma esté desconectada.

Antena exterior

- Cables eléctricos** — Al conectar una antena exterior, asegúrese de mantenerla alejada de los cables eléctricos.
- Puesta a tierra de la antena exterior** — Asegúrese de que el sistema de antena está correctamente desconectado a tierra para protegerlo de sobretensiones inesperadas o acumulaciones de electricidad estática. El Artículo 810 del Código Eléctrico Nacional (NEC), ANSI/NFPA70, proporciona información sobre la adecuada puesta a tierra del mástil, la estructura de soporte y el hilo de entrada a la unidad de descarga de la antena, así como el tamaño de la unidad de puesta a tierra, la conexión a los terminales de puesta a tierra y los requisitos relativos a los propios terminales.

Puesta a tierra de antenas según el Código Eléctrico Nacional



NEC: CÓDIGO ELÉCTRICO NACIONAL.

Mantenimiento

Limpie la unidad solamente como se recomienda en el manual de instrucciones.

Daños que requieren reparación

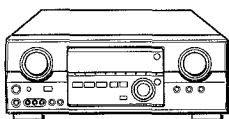
Haga que la unidad sea revisada por un técnico de servicio cualificado si:

- Se ha dañado el cable de alimentación o el enchufe de CA.
- En el interior de la unidad han entrado objetos o líquidos.
- La unidad ha estado expuesta a la lluvia o al agua.
- La unidad parece no funcionar normalmente.
- La unidad presenta un cambio notable en su rendimiento.
- La unidad ha caído, o se ha dañado su caja.

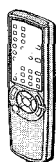
NO INTENTE REPARAR USTED MISMO LA UNIDAD.

Compruebe su unidad y accesorios

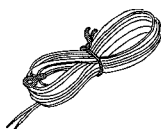
Receptor estéreo AV-D35



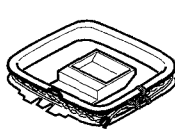
Controlador remoto



Antena de FM



Antena de AM



Manual de instrucciones, etc.

ÍNDICE

PRECAUCIONES	1
PREPARATIVOS	
CONEXIONES	3
ANTES DE LA OPERACIÓN	7
SONIDO	
AJUSTE DEL SONIDO A SU GUSTO	8
ECUALIZADOR GRÁFICO ELECTRÓNICO	9
SONIDO PERIMÉTRICO DEL PROCESADOR DE SEÑAL DIGITAL	10
OPERACIONES BÁSICAS	
SELECCIÓN DE UNA FUENTE DE AUDIO/VÍDEO	11
GRABACIÓN DE UNA FUENTE DE AUDIO	12
ESCUCHA DE LA RADIO	
SINTONIA MANUAL	13
MEMORIZACIÓN DE EMISORAS	14
DOLBY SURROUND	
SELECCIÓN DE DOLBY PRO LOGIC	15
AJUSTE DEL EQUILIBRIO DEL NIVEL ENTRE ALTAVOCES	16
TEMPORIZADOR	
PUESTA EN HORA DEL RELOJ	17
PROGRAMACIÓN DEL TEMPORIZADOR CRONODESCONECTADOR	17
GENERALIDADES	
CUIDADOS Y MANTENIMIENTO	18
ESPECIFICACIONES	18
GUÍA PARA LA SOLUCIÓN DE PROBLEMAS	19
ÍNDICE DE LAS PARTES	20

E

CONEXIONES

Antes de conectar el cable de alimentación de CA

La tensión nominal de su unidad indicada en el panel posterior de su unidad es de 120 V CA. Compruebe si esta tensión coincide con la de la red local.

IMPORTANTE

Conecte primero los altavoces, las antenas, y todos los demás equipos externos. Después conecte el cable de alimentación de CA.

CONEXIÓN DE EQUIPOS

Las clavijas de los cables conectores y las tomas están codificadas en color de la forma siguiente:

Clavijas y tomas rojas: Para el canal derecho de señales de audio

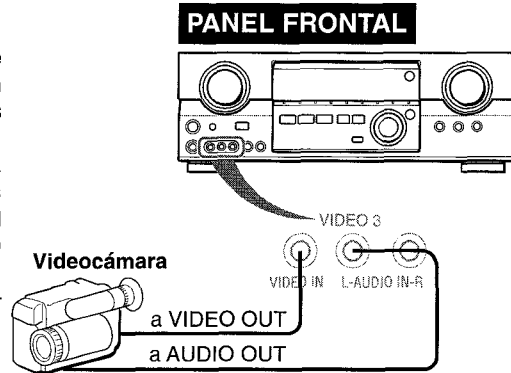
Clavijas y tomas blancas: Para el canal izquierdo de señales de audio

Clavijas y tomas amarillas: Para señales de vídeo

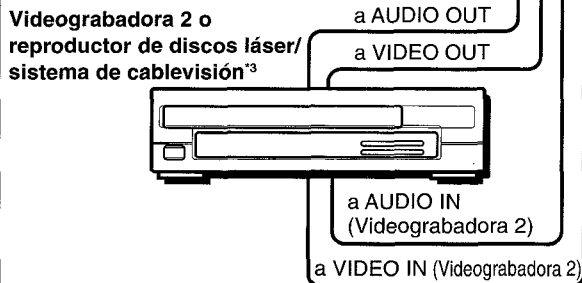
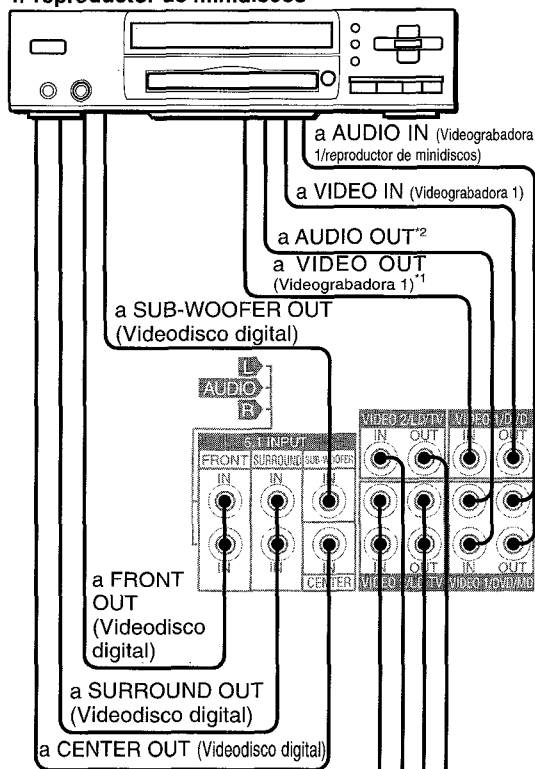
NOTA

Inserte las clavijas de los cables conectores firmemente en las tomas. Las conexiones flojas podrían producir zumbidos u otras interferencias de ruido.

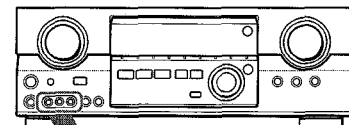
- ¹ Cerciérese de conectar el terminal VIDEO OUT del reproductor de discos DVD directamente al televisor, no a través de la unidad. En caso contrario, puede aparecer ruido de imagen al reproducir discos DVD protegidos contra copia.
- ² El sonido de entrada a través de los terminales 5.1 INPUT no podrá grabarse. Cuando desee grabar sonido de un reproductor de discos DVD, conecte los terminales AUDIO OUT (DOWN MIXING) del reproductor de discos DVD a los terminales VIDEO 1/DVD/MD AUDIO IN de la unidad.
- ³ Para conectar a un equipo de vídeo monoaural, utilice un cable conector de estéreo-monoaural (no suministrado).



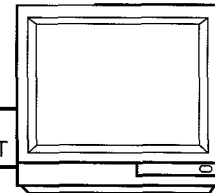
Reproductor de discos DVD o videograbadora 1/ reproductor de minidisos³



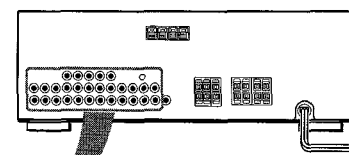
PANEL FRONTAL



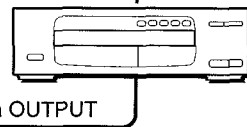
Televisor



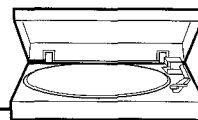
PANEL POSTERIOR



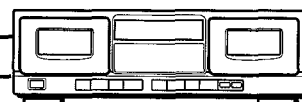
Reproductor de discos compactos



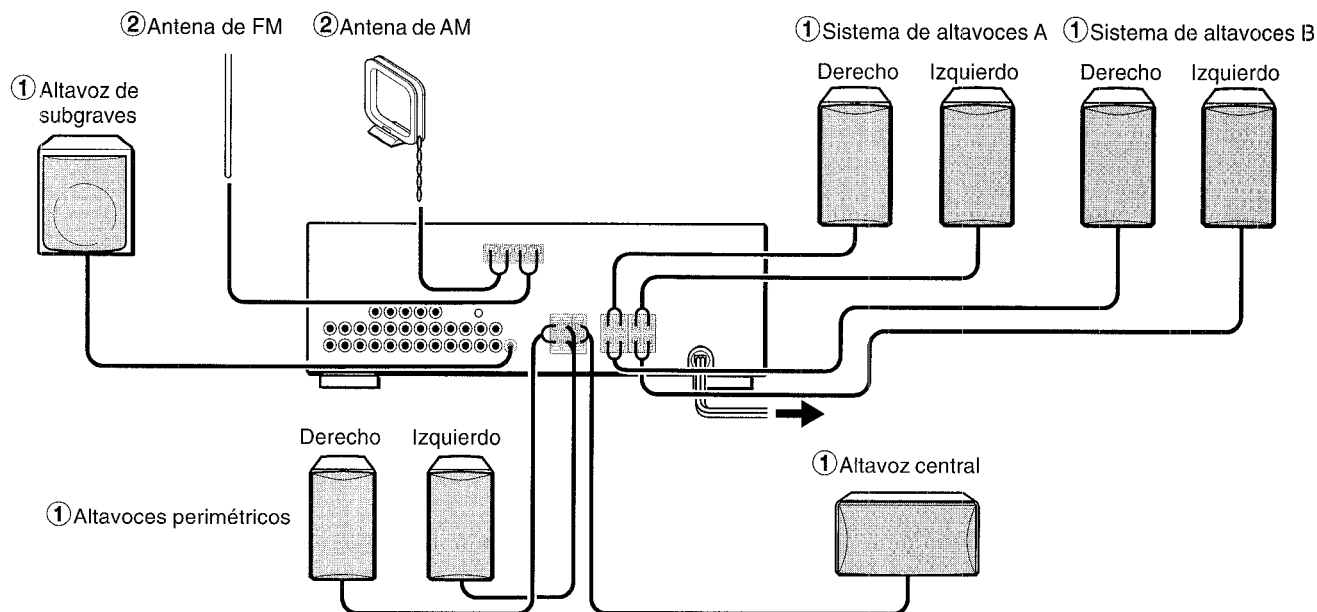
Giradiscos



Deck de cassetes



① y ② de la ilustración corresponden a los detalles siguientes.



CONEXIÓN DE LOS ALTAVOCES ①

Terminales para altavoces

Conecte los altavoces delanteros (sistema A y/o B), un altavoz central, y altavoces perimétricos y altavoz de subgraves a los terminales para altavoces correspondientes de la unidad.

- los cables de los altavoces delanteros a los terminales FRONT SPEAKERS
- el cable del altavoz central a los terminales CENTER SPEAKER
- los cables de los altavoces perimétricos a los terminales SURROUND SPEAKERS
- para obtener graves más potentes, el cable del altavoz de subgraves (con amplificador incorporado) a la toma SUPER WOOFER.

Impedancia de los altavoces

Para todos los altavoces, utilice altavoces de 8 ohmios o más.

Conexión de los terminales + a +, y - a -

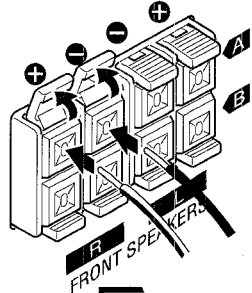
Para obtener el efecto acústico apropiado, los terminales de la unidad y de los altavoces deberán conectarse con la polaridad apropiada: los terminales + de la unidad deberán conectarse a los terminales + de los altavoces (y - a -).

NOTA

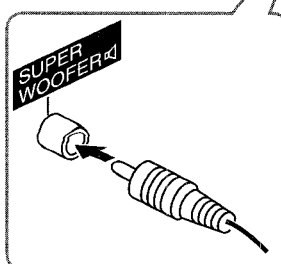
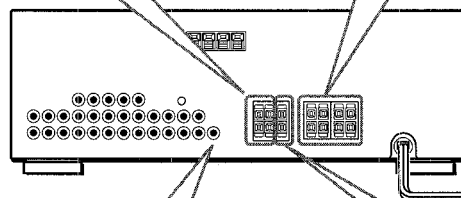
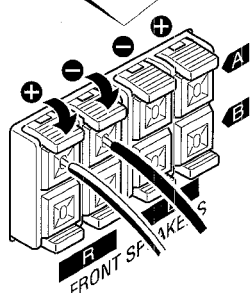
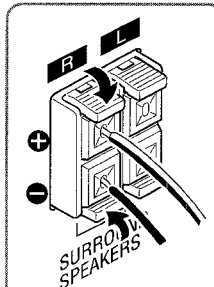
- Cerciórese de conectar correctamente los cables de los altavoces como se muestra en la columna de la derecha. La conexión inapropiada podría causar cortocircuitos en los terminales SPEAKER(S).
- No coloque objetos que generen magnetismo cerca de los altavoces.

Altavoces delanteros

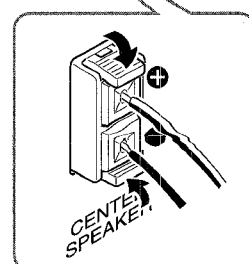
Levante la lengüeta del terminal, inserte el conductor del cable del altavoz en el orificio del terminal, y después cierre la lengüeta. Compruebe si el conductor ha quedado conectado con seguridad.



Altavoces perimétricos



Altavoz de subgraves



Altavoz central

UBICACIÓN DE LOS ALTAVOCES

Coloque los altavoces de forma que obtenga el máximo efecto del sistema Dolby Digital Surround (5.1 CH), Dolby Pro Logic, o efecto del DSP.

a) Altavoces delanteros

b) Altavoz central

Colóquelo en el centro de los dos altavoces delanteros. Además, si ha conectado un televisor a la unidad, coloque el altavoz sobre o debajo del mismo.

c) Altavoces perimétricos

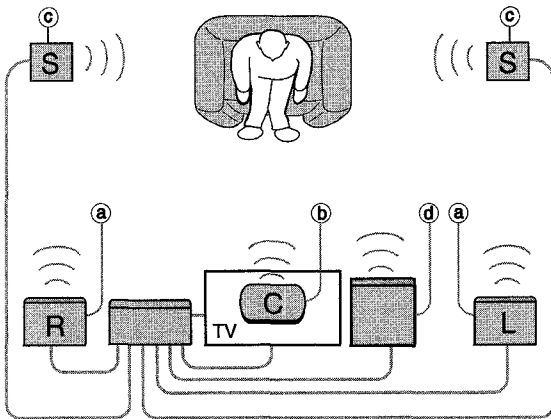
Colóquelos directamente a los lados del área de escucha o ligeramente detrás de ella. Alinéelos horizontalmente, a aproximadamente 1 metro sobre la altura de los oídos.

d) Altavoz de subgraves

Coloque el altavoz de subgraves entre los dos altavoces delanteros.

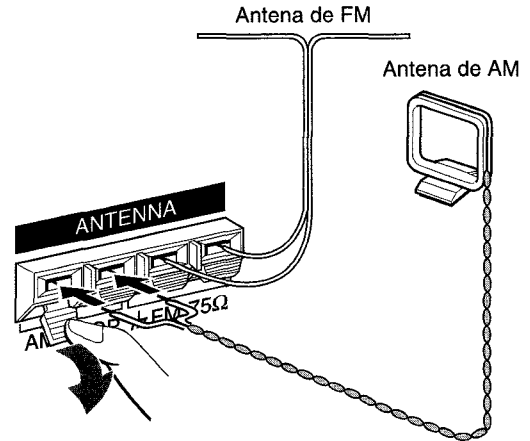
NOTA

El sonido procedente de los altavoces perimétricos o del altavoz central dependerá del ajuste del DSP, de Dolby Pro Logic, y de la función 5.1 CH.



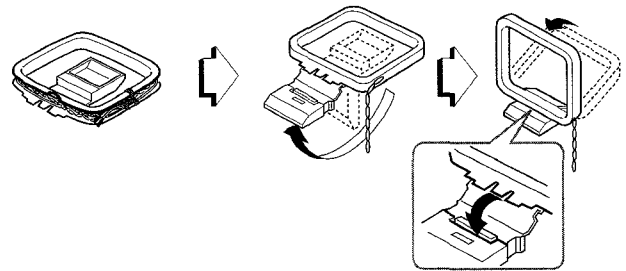
CONEXIÓN DE LAS ANTENAS SUMINISTRADAS ②

Conecte la antena de FM a los terminales FM 75 Ω y la antena de AM a los terminales AM LOOP.



Para colocar la antena de cuadro de AM sobre una superficie

Fije la uña en la ranura como se muestra en la ilustración.



Ubicación de las antenas

Antena unipolar de FM:

Extienda esta antena en sentido horizontal con forma de T y fije sus extremos a la pared.

Antena de cuadro de AM:

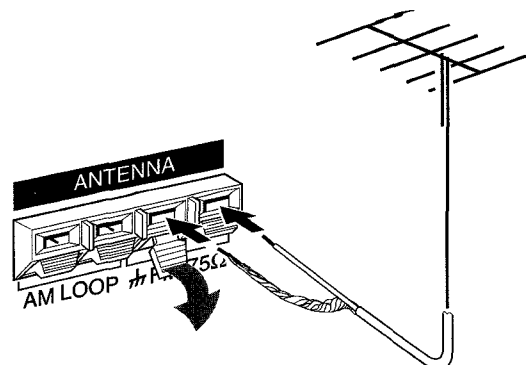
Posición para la mejor recepción.

NOTA

- No acerque la antena de FM a objetos metálicos ni a rieles de cortinas.
- No acerque la antena de AM a otros equipos externos, la propia unidad, el cable de alimentación de CA, ni los cables de los altavoces, porque podría captar ruido.
- No desbobine la antena de cuadro de AM.

CONEXIÓN DE UNA ANTENA EXTERIOR

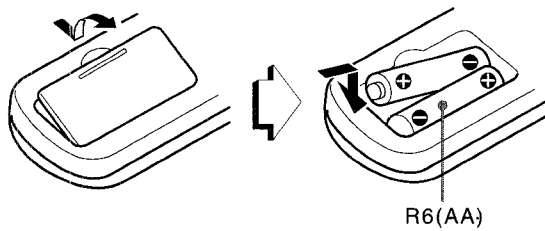
Para conseguir la mejor recepción de FM, se recomienda la utilización de una antena exterior. Conecte la antena exterior a los terminales FM 75 Ω.



SOBRE EL CONTROLADOR REMOTO

Inserción de las pilas

Quite la tapa del compartimiento de las pilas de la parte posterior del controlador remoto e inserte dos pilas R6 (AA).



Cuándo reemplazar las pilas

La distancia máxima de operación entre el controlador remoto y el sensor de la unidad deberá ser de aproximadamente 5 metros. Cuando esta distancia se reduzca, reemplace las pilas por otras nuevas.

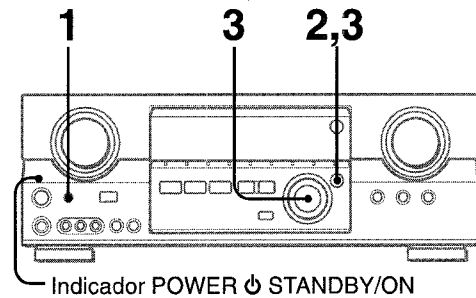
Utilización del controlador remoto

Las instrucciones de este manual se refieren principalmente a los botones de la unidad principal. Los botones del controlador remoto con los mismos nombres que los de la unidad principal también podrán utilizarse.

NOTA

- Cuando no vaya a utilizar la unidad durante mucho tiempo, extráigale las pilas para evitar la posible fuga de su electrólito.
- Es posible que el controlador remoto no funcione correctamente cuando:
 - La línea de visión entre el controlador remoto y el sensor de control remoto del interior del visualizador esté expuesta a una luz intensa como, por ejemplo, la luz solar directa.
 - Estén utilizándose cerca otros controladores remotos (de un televisor, etc.).

MODO DE AHORRO DE ENERGÍA (ECO)



Si ajusta esta unidad en el modo ECO, el consumo de energía se reducirá tal como se indica a continuación.

El ajuste inicial del modo ECO es ON.

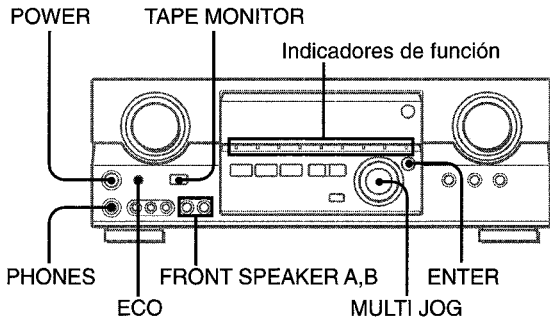
- Si la hora actual está ajustada, la indicación de reloj desaparece inmediatamente.
- Mientras la alimentación se encuentra desconectada, se apagan todos los indicadores luminosos y sólo permanece iluminado en color rojo el indicador POWER ⚡ STANDBY/ON.

Para cancelar el modo ECO

- 1 Presione el botón ECO para mostrar ECO MODE mientras la unidad se encuentra encendida.
- 2 Dentro de 4 segundos, presione el botón ENTER.
- 3 Dentro de 4 segundos, gire MULTI JOG para seleccionar ECO OFF.

El modo se ajustará de forma automática después de 4 segundos. También se ajustará si el botón ENTER se presiona en un plazo de 4 segundos después del paso 3.

ANTES DE LA OPERACIÓN



Para conectar la alimentación de la unidad

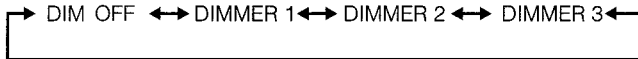
Presione el botón POWER.

La operación será posible después de cuatro segundos. Cuando se presiona el botón POWER para encender la unidad, se muestra el nivel de volumen (VOL) o el nombre de función, uno detrás del otro.

El indicador de la función seleccionada se ilumina en color rojo y los demás indicadores se iluminan en verde.

Para cambiar el nivel de brillo del visualizador

- 1 Presione ECO para que aparezca "ECO MODE".
- 2 Dentro de 4 segundos, gire MULTI JOG para mostrar DIM MODE y presione el botón ENTER en un plazo de 4 segundos.
- 3 Dentro de 4 segundos, gire MULTI JOG para seleccionar el modo de atenuador, tal como se muestra a continuación. El modo se ajustará de forma automática después de 4 segundos. También se ajustará si el botón ENTER se presiona dentro de 4 segundos después del paso 3.



- DIM-OFF: El visualizador normal.
- DIMMER 1: La iluminación del visualizador es más tenue que lo habitual.
- DIMMER 2: La iluminación del visualizador es más tenue que con DIMMER 1.
- DIMMER 3: La iluminación del visualizador es más tenue que con DIMMER 2. Los indicadores de función se apagan.

Selección del sistema de altavoces delanteros

Para utilizar el sistema de altavoces A: Ponga el botón FRONT SPEAKERS A en **■** ON.

Para utilizar el sistema de altavoces B: Ponga el botón FRONT SPEAKERS B en **■** ON.

Para utilizar ambos sistemas de altavoces: Ponga ambos botones en **■** ON.

Para desconectar uno de los sistemas (o ambos sistemas) de altavoces, ponga el botón (o los botones) en **■** OFF.

NOTA

Como los sistemas de altavoces delanteros A y B están conectados en serie:

- El sonido se reducirá ligeramente al utilizar ambos sistemas de altavoces.
- No se oirá sonido si los botones FRONT SPEAKERS A y B están en **■** ON cuando solamente haya conectado un sistema de altavoces.

Utilización de auriculares

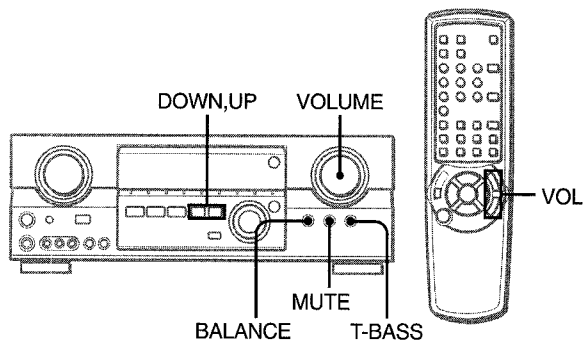
Conecte los auriculares con clavija estéreo estándar (6,3 mm de diá.) en la toma PHONES. Cerciérese de que los botones FRONT SPEAKERS A y B estén en **■** OFF. De lo contrario, el sonido saldría a través de los altavoces.

NOTA

Cuando enchufe los auriculares, se cancelará automáticamente la función 5.1 CH, Dolby Pro Logic, o el sistema del DSP.

Para desconectar la alimentación de la unidad, presione el botón POWER.

AJUSTE DEL SONIDO A SU GUSTO



CONTROL DEL VOLUMEN

Gire el control VOLUME de la unidad o presione los botones VOL del controlador remoto.

El nivel del volumen se mostrará en el visualizador durante cuatro segundos. Este nivel podrá ajustarse entre 0 y MAX (50). Parpadea si se ajusta por encima del nivel 44.

El nivel del volumen permanecerá memorizado incluso después de haber desconectado la alimentación. Sin embargo, si desconecta la alimentación cuando el nivel del volumen esté ajustado a más de 21, la próxima vez que vuelva a conectarla se ajustará automáticamente a 20.

Para ajustar el equilibrio entre los altavoces delanteros izquierdo/derecho

Presione el botón BALANCE para hacer que se visualice "L/R 0 dB". Después presione repetidamente DOWN o UP antes de cuatro segundos.

Tenga en cuenta que el equilibrio entre los altavoces delanteros para los modos 5.1 CH y Dolby Pro Logic también cambiará.

Para silenciar temporalmente el sonido

Presione el botón MUTING (-20 dB).

En el visualizador aparecerá "MUTE ON" durante cuatro segundos. Mientras el sonido esté silenciado, el indicador de función seleccionado parpadeará. Para restablecer el sonido, vuelva a presionar el botón MUTING.

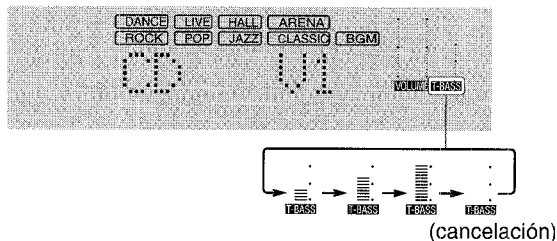
SISTEMA SUPER T-BASS

El sistema T-BASS realza el realismo del sonido de baja frecuencia.

Presione el botón T-BASS.

Cada vez que presione el botón, el nivel cambiará.

Seleccione a su gusto uno de los tres niveles o la posición de cancelación.



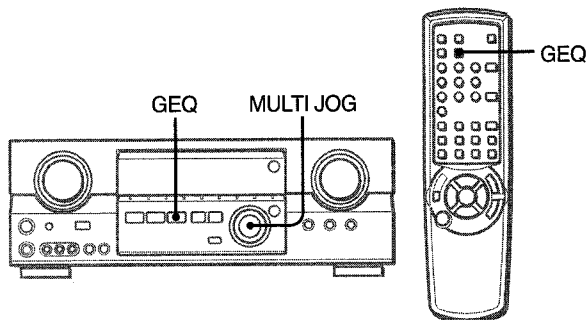
NOTA

El sonido de baja frecuencia puede distorsionarse cuando utilice el sistema T-BASS con un disco o un casete cuyo sonido de baja frecuencia haya sido acentuado originalmente. En este caso, cancele el sistema T-BASS.

AJUSTE DEL SONIDO DURANTE LA GRABACIÓN

El volumen y el tono de salida de los altavoces o de los auriculares podrán variarse libremente sin que se vea afectado el nivel de grabación.

ECUALIZADOR GRÁFICO ELECTRÓNICO



Esta unidad dispone de los cinco modos de ecualización siguientes.

ROCK: Acentúa el sonido de graves y agudos.

POP: Ofrece más presencia a las voces y a la gama media.

JAZZ: Acentúa las frecuencias bajas para música de tipo jazz.

CLASSIC: Ofrece sonido rico con graves profundos y agudos delicados.

BGM: Ofrece tono calmado con graves y agudos suprimidos.

Presione el botón **GEQ** (ecualizador gráfico) y gire **MULTI JOG** hasta que aparezca el modo de ecualización que desee.

Los modos GEQ se muestran de forma cíclica, de la siguiente forma.



El nombre del modo seleccionado se muestra durante cuatro segundos y el indicador ► aparece a la izquierda del nombre de modo seleccionado.



Modo seleccionado

Para cancelar el modo seleccionado

Presione el botón **GEQ** de nuevo. En el visualizador aparecerá "GEQ OFF".

Para seleccionar con el controlador remoto

Presione repetidamente el botón **GEQ** hasta que se visualice el modo de ecualización deseado.

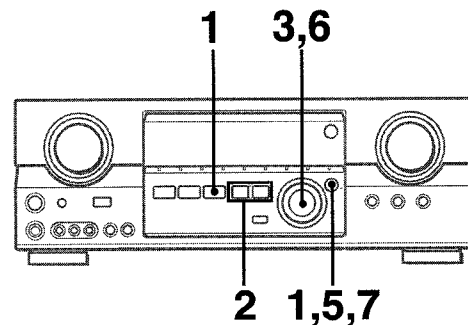
Es posible seleccionar cinco modos preajustados, los modos manuales M1 a M4 y "GEQ OFF".

NOTA

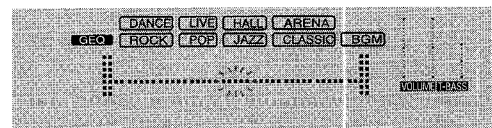
- El sistema **GEQ** se cancela automáticamente si:
 - Activa **Dolby Pro Logic**
 - Selecciona la función **5.1 CH**
- El sistema **GEQ** no puede activarse mientras se encuentra seleccionada la función **5.1 CH**.

AJUSTE DE NUEVAS CURVAS DE ECUALIZACIÓN

Es posible almacenar hasta 4 curvas de ecualización como los modos manuales M1 a M4.



1 Presione el botón **GEQ** y presione el botón **ENTER** dentro de 4 segundos.



2 Presione el botón **DOWN** o **UP** para seleccionar una frecuencia.

Parpadea el indicador de nivel de la frecuencia seleccionada.

3 Gire **MULTI JOG** para ajustar el nivel de la frecuencia seleccionada.

4 Repita los pasos 2 y 3 para crear la curva de ecualización que desee.

En los pasos 2 y 3, la unidad vuelve al modo normal si no se realiza ninguna operación durante aproximadamente 8 segundos.

5 Dentro de 8 segundos, presione el botón **ENTER**.

Aparece "GEQ M1" en el visualizador.

6 Gire **MULTI JOG** para seleccionar un número preajustado de M1 a M4.

7 Presione el botón **ENTER**.

La curva de ecualización se almacena.

El número preajustado seleccionado y la curva de ecualización se muestran durante unos segundos cada uno.

Para ajustar temporalmente la curva de ecualización gráfica

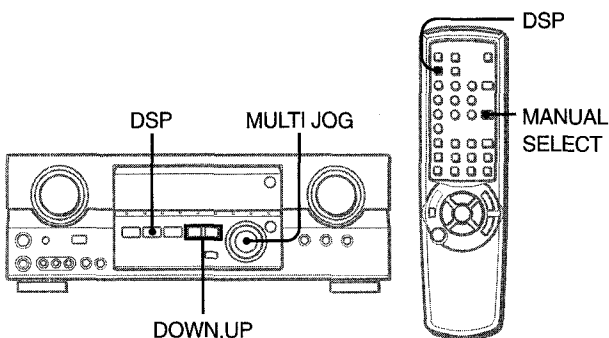
Siga los pasos 1 a 4 anteriores.

La curva **GEQ** ajustada se conserva antes de cambiar o cancelar el modo de ecualización gráfica (**GEQ**).

Para seleccionar la curva preajustada manualmente

Presione el botón **GEQ** y gire **MULTI JOG** hasta que aparezca el número preajustado que desee.

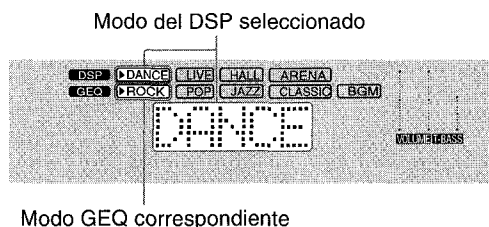
SONIDO PERIMÉTRICO DEL PROCESADOR DE SEÑAL DIGITAL



Los circuitos de sonido perimétrico del procesador de señal digital (DSP) pueden recrear el efecto de sonidos reflejados en paredes o techos, para ofrecer la presencia de sonido de ambientes reales. Existen cuatro modos correspondientes a los modos de ecualización gráfica. Los modos de ecualización se seleccionarán automáticamente, y también podrá seleccionar o desactivarlos a su gusto.

Presione el botón DSP y gire MULTI JOG hasta que aparezca el modo DSP que desee.

El nombre de modo seleccionado aparece durante cuatro segundos y los indicadores ► aparecen a la izquierda del nombre DSP seleccionado y el nombre de modo GEQ correspondiente.



Cuando la fuente de música sea monoaural

Seleccione LIVE para obtener un efecto estéreo simulado. Si selecciona DANCE, HALL o ARENA no oír sonido a través de los altavoces perimétricos.

Para cancelar el modo seleccionado

Presione el botón DSP de nuevo. En el visualizador aparecerá "DSP OFF". Incluso aunque haya cancelado el modo del DSP seleccionado, el modo del GEQ adecuado o seleccionado permanecerá en el visualizador.

Para seleccionar con el controlador remoto

Presione repetidamente el botón DSP hasta que se visualice el modo del DSP deseado.

Es posible seleccionar cuatro modos del DSP y "DSP OFF".

Para ajustar el volumen y el equilibrio de los altavoces perimétricos

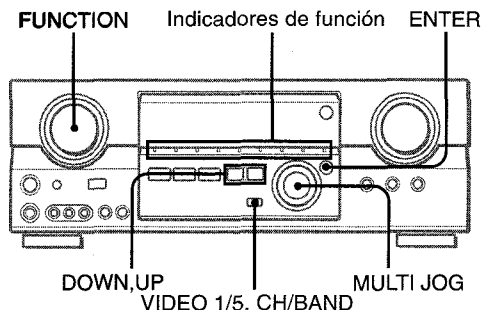
Presione el botón MANUAL SELECT del controlador remoto dos o tres veces mientras el sistema DSP se encuentra activado para mostrar "S-R 0dB" (para el altavoz perimétrico derecho) o "S-L 0dB" (para el altavoz perimétrico izquierdo). A continuación, presione el botón DOWN o UP varias veces dentro de cuatro segundos.

Tenga presente que también cambian el volumen y equilibrio de los altavoces perimétricos de los modos 5.1 CH y Dolby Pro Logic.

NOTA

- El sistema del DSP se cancelará automáticamente:
 - cuando active el modo Dolby Pro Logic
 - Cuando seleccione la función 5.1 CH
- El sistema DSP no podrá activarse:
 - cuando haya seleccionado la función 5.1 CH
 - cuando haya enchufado unos auriculares

SELECCIÓN DE UNA FUENTE DE AUDIO/VÍDEO



1 Seleccione la fuente de programas.

Gire el selector FUNCTION o presione el botón TAPE MONITOR. El indicador de función seleccionado parpadea en color rojo.

Para escuchar o contemplar	El indicador parpadeante
Casetes	TAPE MONITOR
Radio	TUNER
Discos analógicos	PHONO
Discos compactos	CD
Televisión, etc.	AUX
Videocasetes	VIDEO 1/DVD/MD, VIDEO 2/LD/TV, VIDEO 3
Discos láser o programas de cablevisión	VIDEO 2
Minidiscos o videodiscos digitales	VIDEO 1/DVD/MD

Para seleccionar una función en el controlador remoto
Presione el botón de función deseado directamente.

La función seleccionada (excepto PHONO) dependerá del equipo conectado a los terminales de entrada del panel posterior de la unidad.

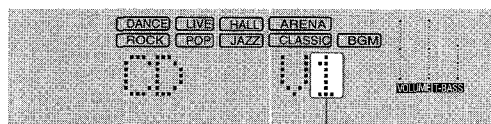
NOTA

Cuando utilice un giradiscos con amplificador incorporado, desconecte la alimentación del amplificador ecualizador. Para más información, consulte el manual de instrucciones del giradiscos.

2 Ponga en reproducción la fuente de programas seleccionada.

3 Ajuste el sonido.

Sobre la fuente de vídeo para el monitor o el televisor



Fuente de vídeo seleccionada

V1: VIDEO 1, V2: VIDEO 2, V3: VIDEO 3

La fuente de vídeo seleccionada se indicará en el visualizador, y la señal de vídeo aplicada a la toma MONITOR VIDEO OUT saldrá al televisor.

Para seleccionar la fuente de vídeo

- 1 Seleccione una de las funciones (excepto TUNER).
- 2 Presione el botón ENTER para mostrar VIDEO1.
- 3 Gire MULTI JOG para seleccionar VIDEO 2 o VIDEO 3.

Para cambiar el nombre visualizado para el VIDEO 1 y el VIDEO 2

Si VIDEO 1 se encuentra seleccionado, VIDEO 1 se muestra inicialmente. Es posible cambiar a DVD o MD. Presione el botón VIDEO 1/5.1CH/BAND mientras presiona el botón ENTER. Para utilizar la función 5.1CH, presione el botón VIDEO 1/5.1CH/BAND. El nombre de función cambiará a "5.1 ch IN" y se seleccionará la fuente conectada a los terminales 5.1 INPUT. Para continuar, presione el botón de nuevo para que se muestre el nombre de la función seleccionada.

El nombre mostrado para el botón VIDEO 2 puede cambiarse a VIDEO 2, LD o TV. Con la función VIDEO 2 seleccionada, presione el botón VIDEO 1/5.1CH/BAND mientras presiona el botón ENTER.

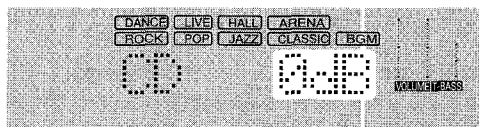
Para ajustar el nivel del sonido de la fuente conectada

El nivel de sensibilidad de entrada de cada función (excepto la función TUNER) podrá ajustarse. Cuando el nivel del sonido de la fuente conectada sea superior o inferior al de TUNER, ajústelo de la forma siguiente.

1 Seleccione la función que desee ajustar.

Gire MULTI JOG hasta la posición apropiada y reproduzca la fuente.

2 Presione repetidamente el botón UP o DOWN.



El nivel podrá ajustarse entre -6 dB (MIN) y +8 dB (MAX) en pasos de 2 dB. Ajuste el nivel de forma que el sonido salga con el mismo nivel que el de TUNER.

NOTA

- El nivel de sensibilidad de entrada de la función TUNER no podrá ajustarse.
- Tampoco podrá ajustarse el de TAPE MONITOR. Aunque haya seleccionado TAPE MONITOR y el indicador TAPE MONITOR se haya vuelto rojo, al presionar el botón UP o DOWN, el nivel de la función indicada en el visualizador cambiará.

PARA REPRODUCIR UN VIDEODISCO DIGITAL GRABADO CON SONIDO DOLBY DIGITAL SURROUND

Este receptor posee conectores 5.1 INPUT para poder conectar un decodificador Dolby Digital con terminales de salida 5.1 CH. Cuando haya conectado un reproductor de discos DVD que contenga decodificador Dolby Digital al receptor, podrá disfrutar de sonido con la calidad de una sala de cine en su hogar cuando reproduzca discos grabados en el modo Dolby Digital Surround.

1 Gire el selector FUNCTION para seleccionar la función VIDEO1/DVD/MD.

2 Presione el botón VIDEO1/5.1CH/BAND.



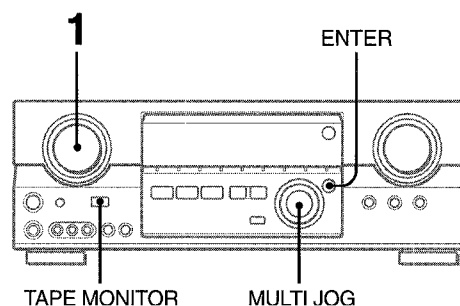
En el visualizador aparecerá "5.1 CH", y como fuente se seleccionará el reproductor de discos DVD conectado a los terminales 5.1 INPUT.

3 Inicie la reproducción del disco DVD grabado con sonido Dolby Digital Surround.

NOTA

- La función 5.1 CH se cancelará y se seleccionará la función VIDEO1, DVD o MD:
 - cuando active el modo Dolby Pro Logic
 - cuando enchufe unos auriculares
- La función 5.1 CH no podrá seleccionarse cuando haya enchufado unos auriculares.

GRABACIÓN DE UNA FUENTE DE AUDIO



1 Seleccione la fuente de programas que desee grabar.

Gire el selector FUNCTION.

2 Ponga el deck de cassetes o el grabador de minidiscos en el modo de grabación.

3 Ponga en reproducción la fuente de programas seleccionada.

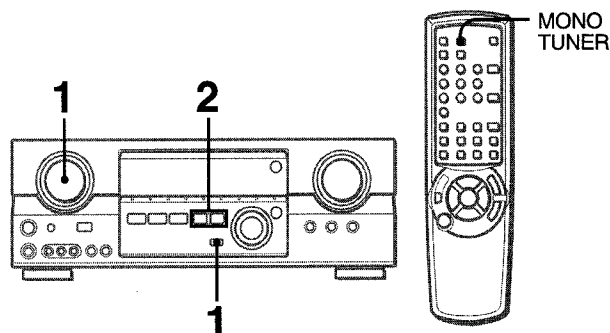
Para escuchar el sonido grabado durante la grabación (cuando el deck de cassetes conectado posee un sistema de tres cabezas)

Presione el botón TAPE MONITOR. En el visualizador aparecerá "TAPE ON" durante cuatro segundos, y después volverá a aparecer el nombre de la fuente seleccionada en el paso 1. Para cancelar la escucha, vuelva a presionar el botón para que aparezca "TAPE OFF".

NOTA

- Ningún sistema de control del sonido tendrá efecto en la grabación (consulte la página 8).
- El sonido de entrada a través de los terminales 5.1 INPUT no podrá grabarse. Para grabar el sonido procedente de un reproductor de discos DVD, conecte los terminales AUDIO OUT (DOWN MIXING) de dicho reproductor a los terminales VIDEO 1/DVD/MD AUDIO IN de la unidad.
- Para grabar fuentes mediante el grabador de minidiscos conectado a los terminales VIDEO 1/DVD/MD AUDIO OUT, presione primero el botón ENTER para mostrar VIDEO 1 y gire MULTI JOG para seleccionar VIDEO 2 o VIDEO 3. A continuación, seleccione la fuente (debería aparecer V2 o V3). La grabación no podrá realizarse mientras esté visualizándose la indicación V1.
- El sonido procedente del deck de cassetes conectado a los terminales TAPE MONITOR IN no podrá grabarse.

SINTONIZACIÓN MANUAL



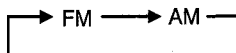
Para cambiar los intervalos de sintonización de AM

El ajuste por defecto del intervalo de sintonización de AM es de 10 kHz/paso. Si utiliza esta unidad en una zona donde el sistema de asignación de frecuencias es de 9 kHz/paso, cambie el intervalo de sintonización.

Mantenga presionado el botón VIDEO 1/5.1CH/BAND y presione el botón POWER.

Para reajustar el intervalo, repita este procedimiento.

- 1 Gire el selector FUNCTION para seleccionar la función TUNER y presione el botón VIDEO 1/5.1CH/BAND varias veces para seleccionar la banda que desee.



El visualizador cambia a las indicaciones de frecuencia después de mostrar la banda y la fuente de vídeo (V1, V2 o V3) durante dos segundos.

- 2 Presione el botón UP o DOWN para seleccionar una emisora.

Cada vez que presione el botón, la frecuencia cambiará. Cuando se recibe una emisora, aparece "TUNE" durante dos segundos. Durante la recepción de estéreo FM, aparece ((Ⓜ)).



Para buscar una emisora rápidamente (Búsqueda automática)

Mantenga presionado el botón UP o DOWN hasta que el sintonizador comience a buscar una emisora. Después de sintonizar una emisora, la búsqueda se detiene.

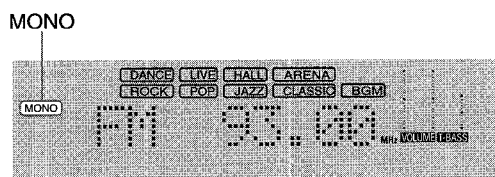
Para detener la Búsqueda automática de forma manual, presione el botón UP o DOWN.

- Es posible que la Búsqueda automática no se detenga en las emisoras con señales muy débiles.

Si la emisión de FM estéreo contiene ruido

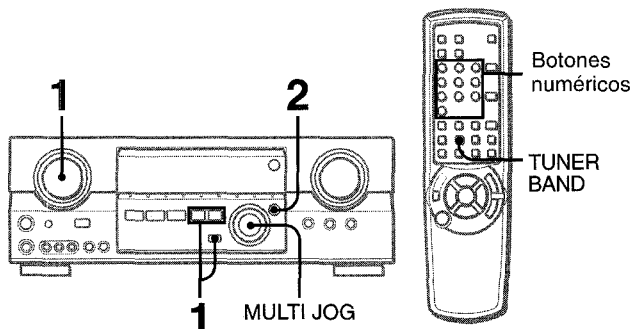
Presione el botón MONO TUNER del controlador remoto para que aparezca "MONO" en el visualizador.

El ruido se reducirá, aunque la recepción será monaural.



Para restablecer la recepción estéreo, presione el botón para que aparezca "STEREO".

MEMORIZACIÓN DE EMISORAS

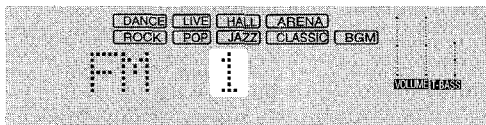


La unidad podrá almacenar un total de 32 emisoras memorizadas. Cuando se almacena una emisora, se le asigna un número de memorización. Utilice el número de memorización para sintonizar directamente una emisora memorizada.

1 Gire el selector FUNCTION para seleccionar la función TUNER y presione repetidamente el botón VIDEO 1/5.1CH/BAND para seleccionar la banda que desee. A continuación, presione el botón UP o DOWN para seleccionar una emisora.

2 Presione el botón ENTER para almacenar la emisora.

Se mostrará durante dos segundos el número de memorización asignado a la emisora, en orden consecutivo comenzando por el 1 para cada banda.



3 Repita los pasos 1 y 2.

No se almacenarán más emisoras si ya se ha almacenado un total de 32 emisoras para todas las bandas.

NOTA

Cuando se cambia el intervalo de sintonización de AM, se borran todas las emisoras memorizadas. Dichas emisoras deberán memorizarse de nuevo.

SINTONIZACIÓN DE NÚMEROS MEMORIZADOS

1 Gire el selector FUNCTION para seleccionar la función TUNER y presione repetidamente el botón VIDEO 1/5.1CH/BAND para seleccionar una banda.

2 Gire MULTI JOG para seleccionar un número de memorización.

Para borrar una emisora memorizada

Seleccione el número de memorización de la emisora que desee borrar. A continuación, presione el botón ENTER y vuelva a presionarlo dentro de cuatro segundos.

Se reducen en uno los números de memorización de todas las demás emisoras de la banda que tengan números más altos.

Al utilizar el controlador remoto

Presione el botón TUNER BAND para seleccionar una banda y, a continuación, presione los botones numéricos para seleccionar un número de memorización.

Ejemplo:

Para seleccionar el número de memorización 25, presione 2 y 5.

Para seleccionar el número de memorización 7, presione 0 y 7.

Esta unidad dispone de un decodificador Dolby Pro Logic y también permite la conexión de un decodificador Dolby Digital con terminales de salida de 5,1 canales.

La unidad y los altavoces central y perimétricos (estándar) aseguran sonido de cine a plena escala para el hogar. Cuando reproduzca discos o software de vídeo grabados con Dolby Pro Logic o Dolby Digital Surround, un sonido sorprendentemente realista rodeará al oyente para crear un nuevo nivel de entretenimiento audiovisual.

El control independiente de los cinco canales permitirá al oyente disfrutar del mismo tipo de reproducción de sonido que el experimentado en salas de cine. Las voces se reproducirán en el campo acústico delantero y central, mientras que los sonidos ambientales como el de automóviles o multitudes se reproducirá por todos los lados del oyente y le ofrecen una experiencia audiovisual increíblemente realista. Lea cuidadosamente lo siguiente para "sintonizar" la salida del sistema de acuerdo con las características de su espacio de escucha.

Compruebe lo siguiente:

- Antes de disfrutar de sonido DOLBY SURROUND, ajuste el nivel del sonido de los altavoces al equilibrio apropiado (consulte la página 16).
- Cerciórese de que los altavoces estén adecuadamente conectados y ubicados (consulte las páginas 3, 4, y 5).
- Cerciórese de que el televisor y la unidad de vídeo estén adecuadamente conectados (consulte la página 3).
- Cerciórese de que el disco, el videocasete, etc., sean del sistema Dolby Pro Logic o Dolby Digital Surround.

SELECCIÓN DE DOLBY PRO LOGIC

El modo Dolby Pro Logic óptimo dependerá del tipo y la ubicación de los altavoces. Recomendamos el uso de los altavoces Aiwa opcionales para todos los canales, por ejemplo, el SX-R1700 para los altavoces perimétricos, el SX-C1700 para un altavoz central y el SX-AV1700 para los altavoces delanteros. Compruebe el tipo y la ubicación de sus altavoces y seleccione en consecuencia el modo Dolby Pro Logic recomendado.

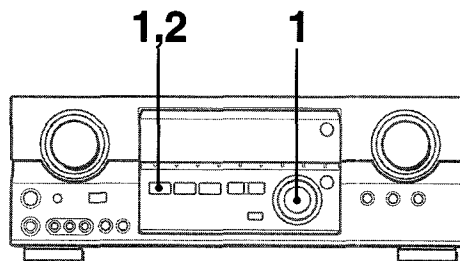
Modo recomendado

	Altavoz central		
	Más grande	Más pequeño	Sin altavoz
Altavoces perimétricos (altavoces traseros)	DOLBY PRO LOGIC-WIDE	DOLBY PRO LOGIC-NORMAL	PHANTOM
Sin altavoces perimétricos	3 STEREO-WIDE	3 STEREO-NORMAL	-

Modo PHANTOM: Seleccione este modo cuando no haya conectado un altavoz central. Todas las señales del canal central se redistribuirán a los altavoces de los canales izquierdo y derecho.

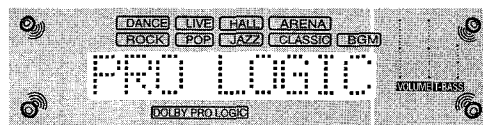
Modo 3 STEREO: Seleccione este modo cuando no haya conectado altavoces perimétricos.

PARA SELECCIONAR UN MODO DOLBY PRO LOGIC



1 Presione el botón DOLBY SURROUND y gire MULTI JOG para seleccionar el modo apropiado.

Los nombres de modo aparecen por orden tal como se muestra a continuación.



→ PRO LOGIC → PHANTOM → 3 STEREO

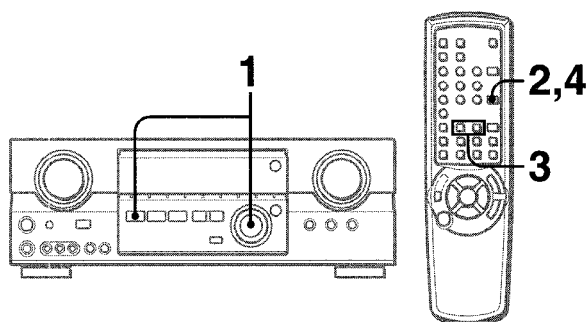
2 Mantenga presionado el botón DOLBY SURROUND hasta que aparezca el modo de altavoz central deseado. (Excepto el modo PHANTOM.)

Aparecen las indicaciones "NORMAL" y "WIDE", una detrás de la otra.

NOTA

- Dependiendo de la fuente de sonido o de las condiciones de escucha, es posible que no obtenga efecto perimétrico incluso aunque haya activado el sistema Dolby Pro Logic.
- El efecto completo de Dolby Pro Logic no podrá obtenerse cuando utilice software sin la marca . En este caso, utilice en su lugar el sistema de sonido perimétrico DSP (consulte la página 10).
- El sistema Dolby Pro Logic se cancelará automáticamente:
 - cuando active el sistema del DSP
 - cuando active el sistema GEO
 - cuando seleccione la función 5.1 CH
 - cuando enchufe unos auriculares
- Dolby Pro Logic no podrá activarse cuando haya enchufado unos auriculares.

AJUSTE DEL EQUILIBRIO DEL NIVEL ENTRE ALTAVOCES



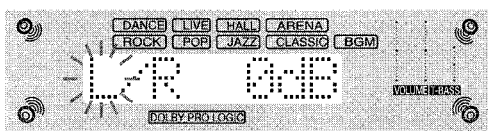
Esta unidad dispone de un generador de señal de prueba incorporado denominado secuenciador de ruido para facilitar el ajuste del equilibrio de los cinco canales.

El secuenciador da salida a una señal de ruido que "viaja" de canal a canal para permitir el ajuste sencillo del nivel del sonido a fin de obtener la misma sonoridad aparente desde cada canal en su posición de escucha.

1 Seleccione el modo Dolby Pro Logic de acuerdo con el tipo y la ubicación de sus altavoces.

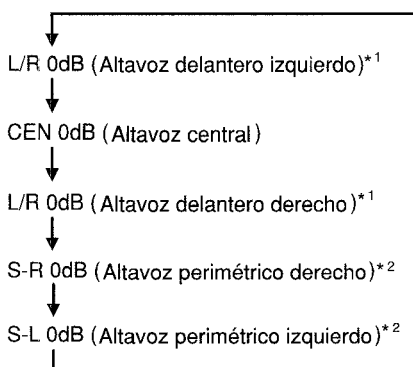
(Consulte la página 15.)

2 Presione el botón MANUAL SELECT del controlador remoto y manténgalo presionado durante unos dos segundos hasta que comience a parpadear "L" de "L/R 0dB".

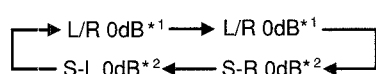


A cada canal se enviará una señal de ruido de la forma siguiente:

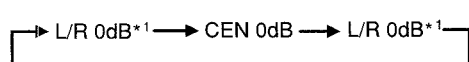
Modo DOLBY PRO LOGIC NORMAL o WIDE



Modo DOLBY PRO LOGIC PHANTOM



Modo 3 STEREO NORMAL o WIDE

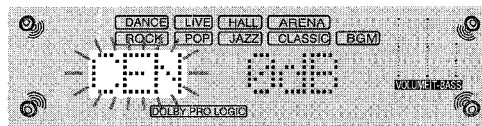


*1 "L" o "R" parpadeará para indicar uno de los altavoces delanteros a través del que sale señal de ruido.

*2 La señal de ruido sale a través de los altavoces perimétricos izquierdo (L) y derecho (R) al mismo tiempo.

3 Ajuste el nivel del sonido de los altavoces central y perimétricos.

Mientras esté parpadeando "CEN", "S-L", o "S-R" en el visualizador, presione el botón UP o DOWN del controlador remoto de forma que el nivel del sonido de los altavoces central o perimétricos coincida con el de los altavoces delanteros.



El equilibrio de los altavoces delanteros también podrá ajustarse mientras esté visualizándose "L/R".

4 Para parar la señal de ruido, vuelva a presionar el botón MANUAL SELECT.

NOTA

Cuando ajuste el equilibrio del nivel de los altavoces para Dolby Pro Logic, también cambiará el de los modos DSP y 5.1 CH.

Información sobre los canales

Los altavoces izquierdo y derecho crean el efecto estéreo.

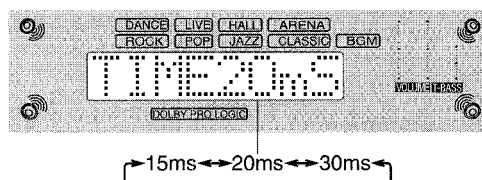
El altavoz central ayuda a ubicar con precisión el sonido en un campo acústico amplio.

Los altavoces perimétricos montados atrás realzan la "profundidad" del campo acústico.

Para cambiar el tiempo de retardo de los altavoces perimétricos cuando utilice el modo Dolby Pro Logic

Los altavoces perimétricos reproducen sonidos una fracción de segundo después de los altavoces delanteros. Este retardo está ajustado inicialmente a 20 ms (milisegundos).

Para cambiar el tiempo de retardo estándar, presione repetidamente el botón MANUAL SELECT del controlador remoto hasta que se visualice "TIME20ms". Después presione el botón UP o DOWN. Cada vez que presione uno de los botones, el tiempo de retardo cambiará como se indica a continuación.

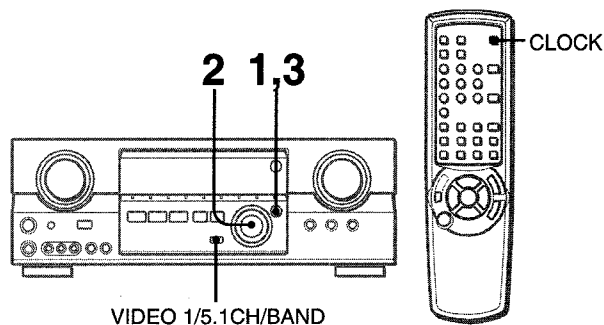


Para ajustar el equilibrio del nivel de los altavoces cuando escuche una fuente (modos Dolby Pro Logic y 5.1 CH)

El equilibrio del nivel de los altavoces podrá cambiarse después de haberlo ajustado con el secuenciador de ruido. El equilibrio podrá cambiarse cuando active el sistema Dolby Pro Logic o cuando seleccione la función 5.1 CH.

- 1 Ponga en reproducción un disco o software de vídeo grabado con Dolby Pro Logic o Dolby Digital Surround.
- 2 Presione repetidamente el botón MANUAL SELECT del controlador remoto hasta que en el visualizador aparezca "L/R", "CEN", "S-L", o "S-R".
- 3 Presione el botón UP o DOWN mientras esté visualizándose el nombre del altavoz que desee ajustar.

PUESTA EN HORA DEL RELOJ

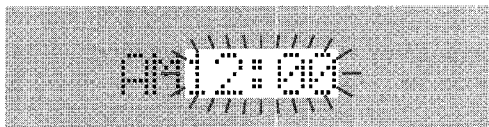


Cuando conecte por primera vez el cable de alimentación de CA, la indicación del reloj parpadeará.

Ajuste la hora de la forma siguiente con la alimentación desconectada.

1 Presione el botón ENTER.

La luminosidad del visualizador aumentará ligeramente.



2 Gire MULTI JOG para designar la hora y los minutos.

El tiempo avanza al girar a la derecha y retrocede al girar a la izquierda.

3 Presione el botón ENTER.

El reloj comienza desde el segundo 00.

NOTA

Al ajustar el reloj por primera vez después de adquirir la unidad

El contenido del visualizador se borrará. Esto se debe a que el modo de ahorro de energía de la unidad está activado. No se trata de un fallo de funcionamiento. El modo de ahorro de energía se puede cancelar. Consulte los detalles en la página 6.

Para corregir la hora actual

Presione el botón POWER para desconectar la alimentación de la unidad. Presione el botón ENTER y realice los pasos 1 a 5 anteriores.

Para hacer que se visualice la hora actual

Presione el botón CLOCK del controlador remoto. El reloj se visualizará durante 4 segundos.

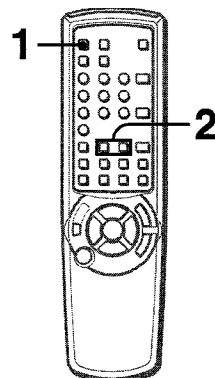
Para cambiar al modo de 24 horas

Presione el botón VIDEO 1/5.1CH/BAND mientras esté visualizándose la hora actual. Para volver al modo de 12 horas, repita el mismo procedimiento.

Si la indicación del reloj parpadea mientras la alimentación esté desconectada

Esto se deberá a una interrupción del suministro eléctrico. Tendrá que volver a poner en hora el reloj. Si el suministro eléctrico se interrumpe durante más de 24 horas, todos los ajustes almacenados en la memoria después de haber adquirido la unidad tendrán que volver a memorizarse.

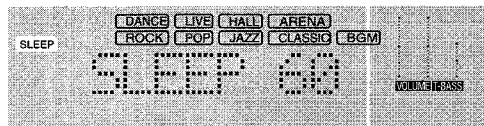
PROGRAMACION DEL TEMPORIZADOR CRONODESCONECTADOR



La alimentación de la unidad se puede desconectar automáticamente después del tiempo especificado.

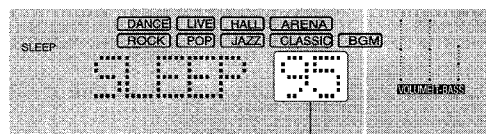
Utilice el controlador remoto.

1 Presione el botón SLEEP.



2 Presione el botón UP o DOWN antes de cuatro segundos para especificar el tiempo hasta que se desconecte la alimentación.

Cada vez que presione el botón, el tiempo cambiará entre 5 y 240 minutos en pasos de 5 minutos.



Tiempo especificado

También es posible seleccionar la hora con MULTI JOG en la unidad principal.

Para comprobar el tiempo restante hasta que se desconecte la alimentación

Presione una vez el botón SLEEP. El tiempo restante se visualizará durante cuatro segundos.

Para cancelar el temporizador cronodesconectador

Presione dos veces el botón SLEEP para que "SLEEPoFF" desaparezca del visualizador.

CUIDADOS Y MANTENIMIENTO

El mantenimiento y el cuidado ocasionales de la unidad serán necesarios para sacar el máximo partido de ella.

Para limpiar el exterior

Utilice un paño suave y seco.

Si la superficie está extremadamente sucia, utilice un paño ligeramente humedecido en una solución poco concentrada de detergente. No utilice disolventes fuertes, como alcohol, bencina, o diluidor de pintura ya que podría dañar el acabado de la unidad.

ESPECIFICACIONES

Sección del sintonizador de FM

Gama de sintonía 87,5 a 108 MHz
Sensibilidad útil 13,2 dBf
Terminales de antena 75 ohmios (desequilibrados)

Sección del sintonizador de AM

Gama de sintonía 530 a 1710 kHz (pasos de 10 kHz)
 531 a 1602 kHz (pasos de 9 kHz)
Sensibilidad útil 350 μ V/m
Antena Antena de cuadro

Sección del amplificador

Salida de potencia **[Modo estéreo]**
Altavoces delanteros
 100 vatios por canal, Mín. RMS a 8 ohmios, de 40 Hz a 20 kHz, con una distorsión armónica total inferior al 0,9%
[Modo Dolby Pro Logic o 5.1 CH]
Altavoces delanteros
 60 vatios por canal, Mín. RMS a 8 ohmios, de 40 Hz a 20 kHz, con una distorsión armónica total inferior al 0,9%
Altavoces traseros (perimétricos)
 60 vatios por canal, Mín. RMS a 8 ohmios, 1 kHz, con una distorsión armónica total inferior al 0,9%
Altavoz central
 60 vatios, Mín. RMS a 8 ohmios, 1 kHz, con una distorsión armónica total inferior al 0,9%
Distorsión armónica total 0,08 % (40 W, 1 kHz, 8 ohms, Altavoces delanteros)
Entradas AUDIO IN
 PHONO: 2,5 mV, ajustable (47 kilohmios)
 CD, VIDEO 1/DVD/MD, VIDEO 2/ LD/ TV, VIDEO 3: 250 mV, ajustable (47 kilohmios)
 TAPE MONITOR: 350 mV (47 kilohmios)
 AUX: 200 mV, ajustable (47 kilohmios)
 5.1 INPUT
 FRONT, CENTER: 400 mV, ajustable (47 kilohmios)
 SURROUND: 400 mV, ajustable (47 kilohmios)
 SUB-WOOFER: 400 mV, ajustable (47 kohmios)
 VIDEO IN: 1 Vp-p (75 ohmios)

Salidas	AUDIO OUT (REC OUT): 200 mV (1 kohmio) VIDEO OUT (MONITOR): 1 Vp-p (75 ohmios) SUPER WOOFER: 1,2 V FRONT SPEAKERS IMP: 8Ω (altavoces delanteros A y B): acepta altavoces de 8 ohmios o más. SURROUND SPEAKERS IMP: 8Ω (altavoces perimétricos): acepta altavoces de 8 ohmios o más CENTER SPEAKER IMP: 8Ω: acepta un altavoz de 8 ohmios o más. PHONES (toma estéreo): acepta auriculares de 32 ohmios o más -20 dB
Silenciamiento	


Generales

Alimentación	120 V CA, 60 Hz
Consumo	125 W
Dimensiones (An × Al × Prf)	430 × 155 × 351 mm
Peso	10 kg (22 lb 1 oz.)

Las especificaciones y el aspecto externo están sujetos a cambio sin previo aviso.

DOLBY PRO LOGIC

Fabricado con licencia de Dolby Laboratories Licensing Corporation.

"DOLBY", el símbolo de la D doble  y "PRO LOGIC" son marcas de Dolby Laboratories Licensing Corporation.

GUÍA PARA LA SOLUCIÓN DE PROBLEMAS

Si la unidad no funciona como se describe en este Manual de instrucciones, compruebe la guía siguiente.

SECCIÓN GENERAL

No hay sonido.

- ¿Está adecuadamente conectado el cable de CA?
- ¿Hay alguna conexión incorrecta? (→ página 3)
- Es posible que los terminales de los altavoces estén cortocircuitados.
→ Desconecte el cable de CA y corrija las conexiones de los altavoces.
- ¿Ha presionado un botón de función incorrecto?
- ¿Ha presionado el botón TAPE MONITOR?
- ¿Ha ajustado correctamente los botones FRONT SPEAKERS A y B? (→ página 6)

El sonido solamente se emite a través de un altavoz.

- ¿Está adecuadamente ajustado BALANCE?
- ¿Está desconectado el otro altavoz?

El sonido se oye con un volumen muy bajo.

- ¿Ha presionado el botón MUTING?

La visualización es errónea o se produjo un mal funcionamiento.

→ Reponga la unidad tal como se describe más adelante.

SECCIÓN DEL SINTONIZADOR

Hay estáticos constantes en forma de onda

- ¿Está adecuadamente conectada la antena? (→ página 5)
- ¿Es débil la señal de FM?
→ Conecte una antena exterior.

La recepción contiene interferencias de ruido o el sonido se oye distorsionado.

- ¿Está el sistema captando ruido externo o distorsión de múltiples trayectorias?
→ Cambie la orientación de la antena.
→ Aleje la unidad de otros aparatos eléctricos.

Reposición

Si hay alguna condición anormal en el visualizador o se produce un mal funcionamiento, reponga la unidad de la siguiente forma.

- 1 Presione el botón POWER para desconectar la alimentación.
- 2 Presione el botón POWER mientras presiona el botón ENTER.
Todos los ajustes almacenados en la memoria después de haber adquirido la unidad se borrarán.

Si no puede desconectar la alimentación en el paso 1 debido a algún mal funcionamiento, reponga la unidad desconectando el cable de CA y realice el paso 2.

ÍNDICE DE COMPONENTES

Las instrucciones relativas a cada componente de la unidad o del controlador remoto se encuentran en las páginas que se indican a continuación.

(en orden alfabético)	
Componentes	Páginas
AUX	11
BALANCE	8
CD	11
CLOCK	17
DOLBY SURROUND	15
DOWN	10, 11, 13, 14, 16, 17
DSP	10
ECO	6, 7
ENTER	6, 7, 11, 12, 14, 17
FRONT SPEAKERS A, B	7
GEQ	9
MANUAL SELECT (TEST)	10, 16
MONO TUNER	13
MULTI JOG	6, 7, 9-12, 14, 15, 17
MULTI SELECTOR	11-14
MUTING	8
PHONES	7
PHONO	11
POWER	7, 13, 17
SET	6
SLEEP	17
TAPE MONITOR	7, 11, 12
T-BASS	8
TUNER BAND	11, 14
UP	10, 11, 13, 14, 16, 17
VIDEO 1/5.1 CH/BAND	11, 13, 14, 17
VIDEO 1/DVD/MD	11
VIDEO 2/LD/TV	11
VIDEO 3	11
VOLUME , VOL(∨, ∧)	8

AVERTISSEMENT

POUR REDUIRE LE RISQUE DE COURT-CIRCUIT OU DE CHOC ELECTRIQUE, NE PAS EXPOSER CET APPAREIL A LA PLUIE OU A L'HUMIDITE.



CAUTION

RISK OF ELECTRIC SHOCK
DO NOT OPEN



“ATTENTION:POUR REDUIRE LE RISQUE DE CHOC ELECTRIQUE, NE PAS ENLEVER LE COUVERCLE (NI LE DOS).
CET APPAREIL NE CONTIENT PAS DE PIECES REPARABLES PAR L'UTILISATEUR. POUR TOUTE REPARATION, S'ADRESSER A UNE PERSONNE QUALIFIEE.”

Explication des symboles graphiques:



Un éclair fléché inscrit dans un triangle équilatéral est destiné à alerter l'utilisateur de la présence à l'intérieur de l'appareil d'une "tension dangereuse" non isolée d'une puissance suffisante pour constituer un risque d'électrocution pour les personnes.



Un point d'exclamation inscrit dans un triangle équilatéral est destiné à avertir l'utilisateur de la présence d'instructions d'utilisation (et d'entretien) importantes dans la documentation fournie avec l'appareil.

PRECAUTIONS

Lisez attentivement et complètement le mode d'emploi avant d'utiliser l'ampli-tuner et conservez-le pour toute référence future. Respectez tous les avertissements et consignes mentionnés dans le mode d'emploi, ainsi que les conseils concernant la sécurité.

Installation

- 1 **Eau et humidité** — Ne pas utiliser l'ampli-tuner près d'un point d'eau, comme une baignoire, un lavabo, une piscine ou autre endroit similaire.
- 2 **Chaleur** — Ne pas utiliser l'ampli-tuner près d'une source de chaleur, comme une sortie d'air chaud, un chauffage, ou autre appareil produisant de la chaleur. Il ne doit pas non plus être exposé à des températures inférieures à 5°C (41°F) ou supérieures à 35°C (95°F).
- 3 **Installation** — Installez l'ampli-tuner sur une surface plane, de niveau.
- 4 **Ventilation** — Laissez un espace suffisant tout autour de l'ampli-tuner pour garantir une bonne ventilation, soit environ 10 cm (4 po.) à l'arrière et au-dessus de l'ampli-tuner et 5 cm (2 po.) sur les deux côtés.
 - Ne pas poser l'ampli-tuner sur un lit, une couverture ou toute autre surface similaire qui pourrait bloquer les orifices de ventilation.
 - Ne pas installer l'ampli-tuner dans une étagère, un placard ou un meuble où la ventilation est insuffisante.
- 5 **Objets et liquide** — Veillez à ce qu'aucun objet ni liquide ne pénètre dans les orifices de ventilation de l'ampli-tuner.
- 6 **Chariots et supports** — Quand vous installez l'ampli-tuner sur un support ou un chariot, déplacez-les lentement. A cause d'arrêts subits, de mouvements brusques et de surfaces inégales, l'ampli-tuner ou le chariot peuvent être renversés.
- 7 **Fixation au mur ou au plafond** — L'ampli-tuner ne doit pas être installé au mur ou au plafond.



Electricité

- 1 **Sources d'alimentation** — Raccordez l'ampli-tuner seulement à la source d'alimentation spécifiée dans le mode d'emploi et indiquée sur l'ampli-tuner proprement dit.
- 2 **Polarisation** — Par mesure de sécurité, certains appareils sont équipés d'une fiche d'alimentation secteur polarisée qui ne peut être introduite que dans un sens dans la prise murale. S'il s'avère difficile ou impossible d'introduire la fiche d'alimentation dans la prise secteur, retournez la fiche et réessayez. Si vous ne parvenez toujours pas à l'enficher aisément, demandez à un technicien d'entretien de réparer ou de remplacer la prise murale. Ne tentez pas de déjouer la sécurité de cette fiche polarisée en forçant la fiche dans une prise non appropriée.
- 3 **Cordon d'alimentation secteur**
 - Quand vous débranchez le cordon d'alimentation secteur, tirez sur la fiche et non pas sur le cordon.
 - Ne jamais toucher la fiche secteur avec des mains humides afin d'éviter les risques d'incendie ou d'électrocution.
 - Les cordons d'alimentation doivent être fixés correctement pour éviter qu'ils ne soient pliés, coincés ou piétinés. Faites particulièrement attention au cordon reliant l'ampli-tuner à la prise secteur.
 - Evitez de surcharger les fiches et cordons de prolongation au-delà de leur capacité afin d'éviter tout risque d'incendie ou d'électrocution.
- 4 **Prolongateur** — Pour éviter les décharges électriques, n'utilisez pas de fiche d'alimentation secteur avec un prolongateur, une prise ou autre si la fiche d'alimentation polarisée ne peut être introduite complètement de manière à éviter d'exposer les lames de la fiche.
- 5 **Quand l'ampli-tuner est inutilisé** — Débranchez la fiche secteur de la prise d'alimentation secteur si vous n'utilisez pas l'ampli-tuner pendant plusieurs mois. Quand le cordon est branché, une petite quantité d'électricité circule dans l'ampli-tuner même s'il a été mis hors tension.

Relevé du propriétaire

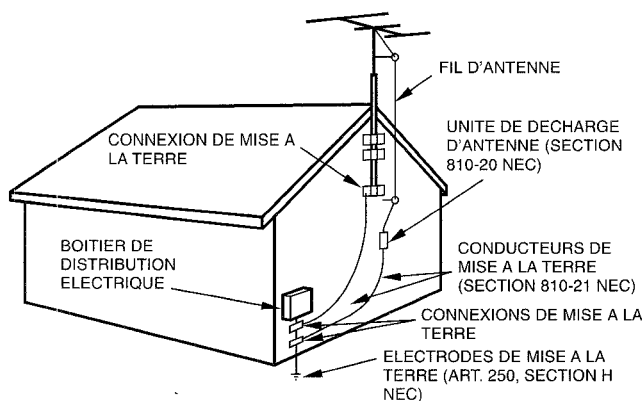
Pour plus de commodité, noter le numéro de modèle et le numéro de série (les numéros se trouvent au dos de l'appareil) dans les cases ci-dessous. Prière de mentionner ces numéros quand on contacte un distributeur Aiwa en cas de difficulté.

N° de modèle	N° de série (N° de lot)
AV-D35	

Antenne extérieure

- Lignes électriques** — Lorsque vous raccordez une antenne extérieure, assurez-vous qu'elle ne se trouve pas à proximité de lignes électriques.
- Mise à la terre de l'antenne extérieure** — Veillez à ce que le système d'antenne soit correctement mis à la terre de façon à offrir une protection contre toute crête de tension imprévisible ou contre l'accumulation d'électricité statique. L'article 810 du code national électrique, ANSI/NFPA70, fournit des informations sur la mise à la terre adéquate du mât, de la structure portante et du fil de terre vers une unité de décharge de l'antenne, la section des conducteurs de mise à la terre, l'emplacement de l'unité de décharge de l'antenne, le raccordement aux électrodes de mise à la terre et les spécifications des bornes de mise à la terre.

Mise à la terre de l'antenne conformément au code national électrique



CODE NATIONAL ELECTRIQUE (NEC)

Entretien

Nettoyez l'ampli-tuner comme indiqué dans le mode d'emploi.

Dommages exigeant l'intervention d'un professionnel

Faites réparer l'ampli-tuner par un professionnel dans les cas suivants:

- Le cordon ou la prise secteur a été endommagé
- Des objets ou du liquide ont pénétré dans l'ampli-tuner
- L'ampli-tuner a été exposé à la pluie ou à l'eau
- L'ampli-tuner ne semble pas fonctionner correctement
- Les performances de l'ampli-tuner ne sont plus les mêmes
- L'ampli-tuner est tombé ou le coffret a été endommagé

NE PAS ESSAYER DE REPARER SOI-MEME LE RECEPTEUR.

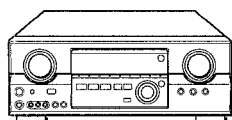
TABLE DES MATIERES

PRECAUTIONS	1
PREPARATIFS	
RACCORDEMENTS	3
AVANT DE COMMENCER	7
SON	
REGLAGE PERSONNEL DU SON	8
EGALISEUR GRAPHIQUE ELECTRONIQUE	9
PROCESSEUR D'AMBIANCE	10
OPERATIONS DE BASE	
SELECTION D'UNE SOURCE AUDIO OU VIDEO	11
ENREGISTREMENT D'UNE SOURCE AUDIO	12
RECEPTION RADIO	
ACCORD MANUEL	13
PREREGLAGE DES STATIONS	14
DOLBY SURROUND	
SELECTION DU DOLBY PRO LOGIC	15
REGLAGE DE LA BALANCE DU NIVEAU DES ENCEINTES	16
MINUTERIE	
REGLAGE DE L'HORLOGE	17
REGLAGE DE LA MINUTERIE D'ARRET	17
GENERALITES	
SOIN ET ENTRETIEN	18
SPECIFICATIONS	18
EN CAS DE PANNE	19
NOMENCLATURE	20

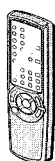
F

Vérifiez votre appareil et les accessoires

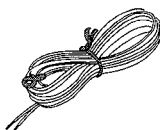
Ampli-tuner stéréo AV-D35



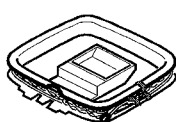
Télécommande



Antenne FM



Antenne AM



Mode d'emploi, etc.

RACCORDEMENTS

Avant de raccorder le cordon secteur

La tension nominale de l'ampli-tuner indiquée sur le panneau arrière est de 120 V. Vérifiez si elle correspond à la tension locale.

IMPORTANT

Raccordez les enceintes, les antennes et les autres appareils en premier. Raccordez le cordon secteur en dernier.

RACCORDEMENT DE TOUT L'EQUIPEMENT

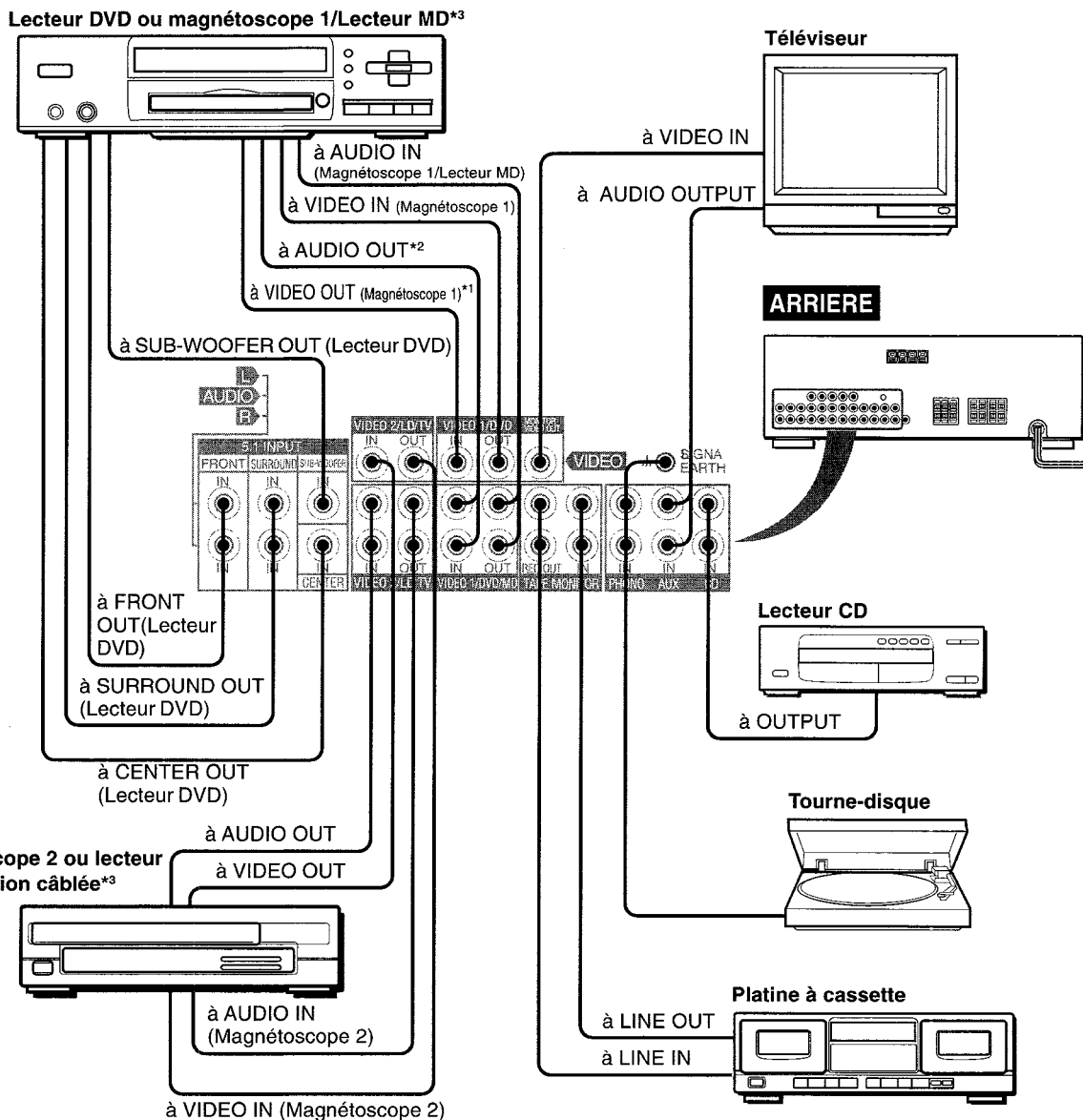
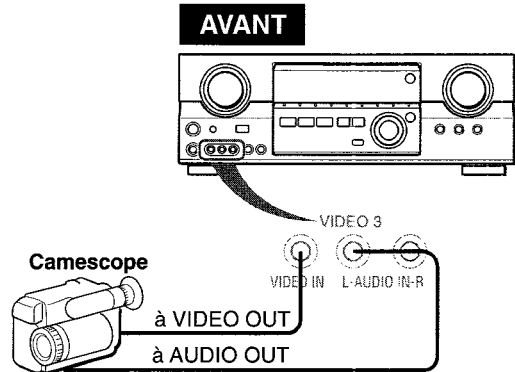
Les prises et les fiches des cordons de liaison sont codées couleur de la façon suivante:

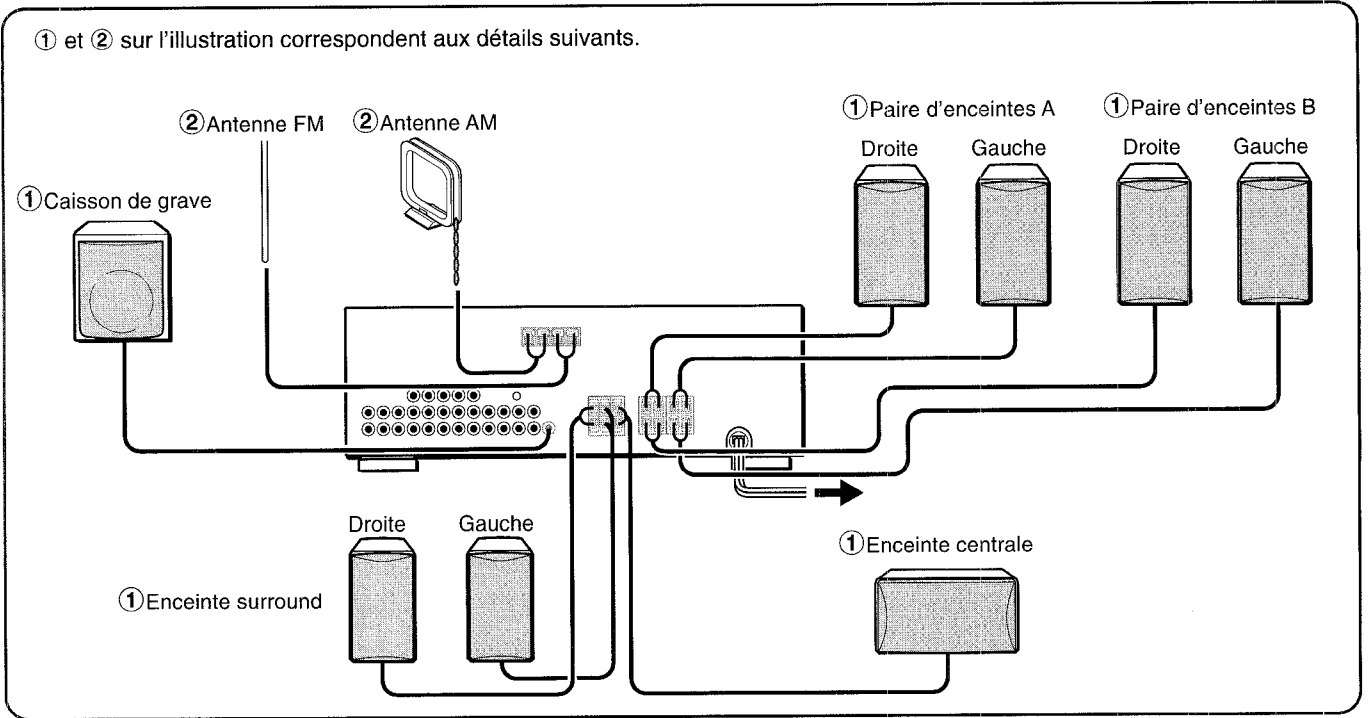
- Prises et fiches rouges: Canal droit des signaux audio
- Prises et fiches blanches: Canal gauche des signaux audio
- Prises et fiches jaunes: Signaux vidéo

REMARQUE

Insérez les fiches à fond dans les prises. Des connexions relâchées peuvent produire un bourdonnement ou d'autres interférences.

- *1 Veillez à raccorder la prise VIDEO OUT du lecteur DVD directement à un téléviseur, et non pas par l'ampli-tuner. Sinon, des parasites risquent d'apparaître dans l'image pendant la lecture de DVD protégés contre la copie.
- *2 Le son fourni aux prises 5.1 INPUT ne peut pas être enregistré. Lors de l'enregistrement du son d'un lecteur DVD, raccordez les prises AUDIO OUT (DOWN MIXING) du lecteur DVD aux prises VIDEO 1/DVD/MD AUDIO IN de cet appareil.
- *3 Pour le raccordement d'un appareil vidéo monophonique, utilisez un cordon de liaison stéréo-mono (non fourni).





RACCORDEMENT DES ENCEINTES ①

Bornes d'enceinte

Raccordez les enceintes avant (systèmes A et/ou B), une enceinte centrale, des enceintes surround et un caisson de grave aux prises correspondantes de l'ampli-tuner:

- les cordons d'enceintes avant aux bornes FRONT SPEAKERS
- le cordon d'enceinte centrale aux bornes CENTER SPEAKER
- les cordons d'enceintes surround aux bornes SURROUND SPEAKERS
- le cordon du caisson de grave (amplifié) à la prise SUPER WOOFER pour obtenir un son grave omniprésent.

Impédance des enceintes

Pour toutes les enceintes, utilisez des enceintes 8 ohms.

Raccordement des bornes + à + et - à -

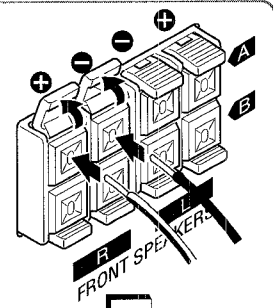
Pour obtenir l'effet sonore adéquat, les bornes d'enceintes de l'ampli-tuner et des enceintes doivent être raccordées correctement: les bornes + de l'ampli-tuner doivent être reliées aux bornes + des enceintes (et - à -).

REMARQUE

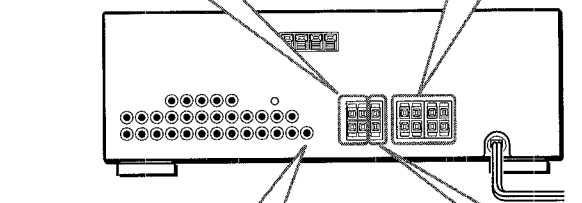
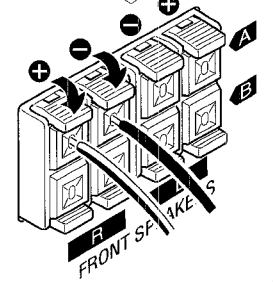
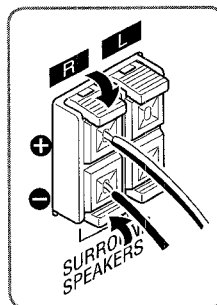
- Veillez à raccorder correctement les cordons comme indiqué sur l'illustration de droite. Des connexions inadéquates peuvent causer des courts-circuits au niveau des bornes SPEAKER(S).
- Ne pas laisser de sources de magnétisme près des enceintes.

Enceintes avant

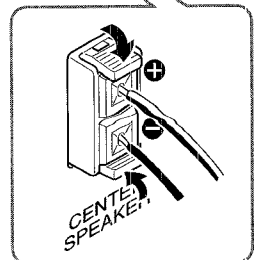
Relevez le poussoir de la borne, insérez le cordon d'enceinte dans l'orifice, puis refermez le poussoir. Vérifiez si le cordon est bien bloqué.



Enceintes surround



Caisson de grave



Enceinte centrale

POSITIONNEMENT DES ENCEINTES

Positionnez les enceintes de manière à obtenir les meilleurs effets Dolby Digital Surround (5.1 CH), Dolby Pro Logic ou DSP.

a) Enceintes avant

b) Enceinte centrale

Installez l'enceinte centrale entre les deux enceintes avant et sur ou sous le téléviseur, si l'ampli-tuner est raccordé à un téléviseur.

c) Enceintes surround

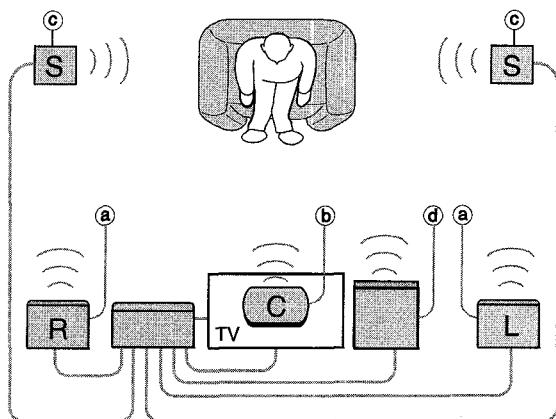
Installez les enceintes surround directement sur les côtés ou légèrement en retrait de la position d'écoute. Alignez-les horizontalement à environ 1 m (3,2 pieds) au-dessus du niveau des oreilles.

d) Caisson de grave

Installez le caisson de grave quelque part entre les deux enceintes avant.

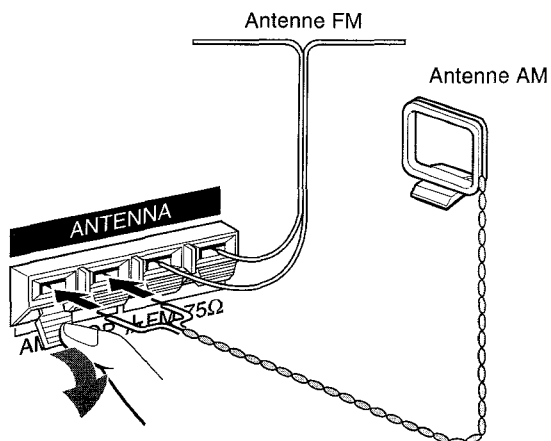
REMARQUE

Le son des enceintes surround ou de l'enceinte centrale dépend du réglage de la fonction DSP, Dolby Pro Logic et 5.1 CH.



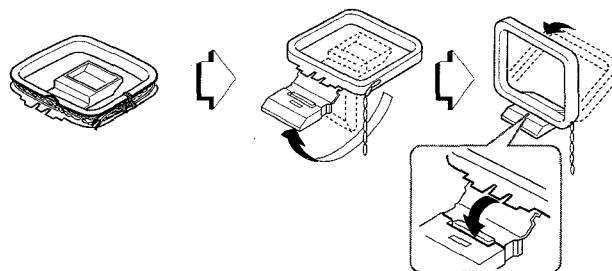
RACCORDEMENT DES ANTENNES FOURNIES ②

Raccordez l'antenne FM à la borne FM 75 Ω et l'antenne AM aux bornes AM LOOP.



Pour poser l'antenne cadre AM sur une surface

Insérez la saillie dans la rainure comme indiqué sur l'illustration.



Pour positionner les antennes

Antenne FM unipolaire:

Déployez cette antenne horizontalement en forme de T et fixez-en les extrémités au mur.

Antenne cadre AM:

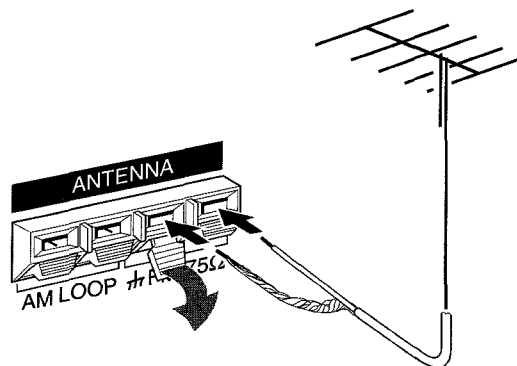
Position pour la meilleure qualité de réception.

REMARQUE

- Ne pas approcher l'antenne FM d'objets métalliques ou de tringles de rideaux.
- Ne pas approcher l'antenne AM d'autres appareils, de l'ampli-tuner, du cordon secteur ou des cordons d'enceintes, car elle pourrait capter du bruit.
- Ne pas dérouler le fil de l'antenne cadre AM.

RACCORDEMENT D'UNE ANTENNE EXTERIEURE

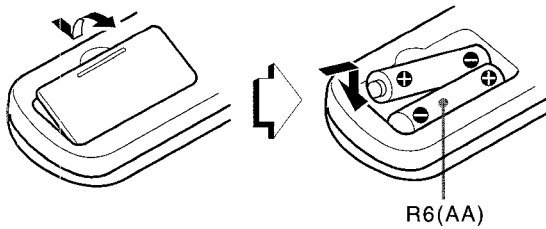
L'utilisation d'une antenne extérieure est recommandée pour une meilleure réception FM. Raccordez l'antenne extérieure à la borne FM 75 Ω.



A PROPOS DE LA TELECOMMANDE

Mise en place des piles

Enlevez le couvercle du logement des piles au dos de la télécommande et insérez deux piles R6 (format AA).



Remplacement des piles

La portée maximale de la télécommande, c'est-à-dire la distance entre la télécommande et le capteur de l'ampli-tuner, devrait être de 5 mètres (16 pieds). Quand la portée est réduite, remplacez les piles par des neuves.

Utilisation de la télécommande

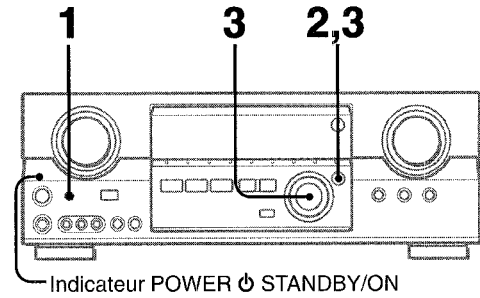
Les instructions de ce mode d'emploi indiquent la plupart du temps les touches de l'appareil. Les touches de la télécommande ayant le même nom que celles de l'appareil peuvent tout aussi bien être utilisées.

Les fonctions de la touche SET sont les mêmes que celles de la touche ENTER de l'appareil.

REMARQUE

- Si vous prévoyez de ne pas utiliser l'ampli-tuner pendant une certaine période, enlevez les piles de la télécommande pour éviter toute fuite de l'électrolyte des piles.
- La télécommande risque de ne pas fonctionner correctement quand:
 - La ligne de vue entre la télécommande et le capteur de télécommande dans l'afficheur est exposée à une lumière intense, par exemple la lumière directe du soleil.
 - D'autres télécommandes sont utilisées à proximité (télécommande de téléviseur, par ex.).

MODE D'ECONOMIE D'ENERGIE (ECO)



Activez l'ampli-tuner en mode ECO pour réduire la consommation d'électricité comme indiqué ci-dessous.

Le réglage par défaut du mode ECO est ON.

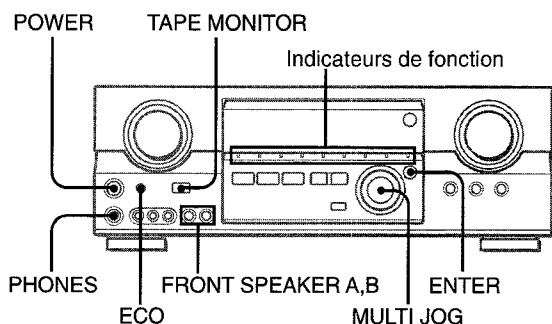
- Lorsque l'heure a été réglée, l'affichage de l'horloge disparaît immédiatement.
- Lorsque l'ampli-tuner est mis hors tension, tous les témoins s'éteignent et seul l'indicateur POWER ⏻ STANDBY/ON s'allume en rouge.

Pour désactiver le mode ECO

- 1 Appuyez sur la touche ECO pour afficher ECO MODE alors que l'ampli-tuner est sous tension.
- 2 En l'espace de 4 secondes, appuyez sur la touche ENTER.
- 3 En l'espace de 4 secondes, tournez MULTI JOG pour sélectionner ECO OFF.

Le mode se règle automatiquement au bout de 4 secondes. Il se règle également si vous appuyez sur la touche ENTER dans un délai de 4 secondes après l'étape 3.

AVANT DE COMMENCER



Pour mettre l'ampli-tuner sous tension.

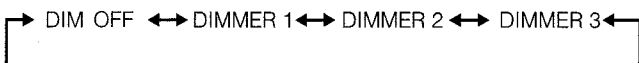
Appuyez sur la touche POWER.

Toute manipulation est possible après quatre secondes. Lorsque vous appuyez sur POWER pour mettre l'ampli-tuner sous tension, le niveau VOL (volume) et le nom de la fonction s'affichent tout à tour.

L'indicateur de la fonction sélectionnée s'allume en rouge et les autres en vert.

Pour changer la luminosité de l'affichage

- 1 Appuyez sur la touche ECO de façon à ce que "ECO MODE" s'affiche.
- 2 En l'espace de 4 secondes, tournez MULTI JOG pour afficher DIM MODE et appuyez ensuite sur ENTER dans un délai de 4 secondes.
- 3 En l'espace de 4 secondes, tournez MULTI JOG pour sélectionner le mode d'atténuation comme ci-dessous. Le mode se règle automatiquement après 4 secondes. Il se règle également si vous appuyez sur la touche ENTER dans un délai de 4 secondes après l'étape 3.



- DIM-OFF: Afficheur normal
- DIMMER 1: Eclairage de l'afficheur atténué.
- DIMMER 2: Eclairage de l'afficheur plus atténué qu'avec DIMMER 1.
- DIMMER 3: Eclairage de l'afficheur plus atténué qu'avec DIMMER 2. Les indicateurs de fonction s'éteignent.

Sélection de la paire d'enceintes avant

Pour utiliser la paire d'enceintes A: Réglez la touche FRONT SPEAKERS A sur **ON** (marche).

Pour utiliser la paire d'enceintes B: Réglez la touche FRONT SPEAKERS B sur **ON** (marche).

Pour utiliser les deux paires d'enceintes: Réglez les deux touches sur **ON** (marche).

Réglez ces touches sur **OFF** (arrêt) pour mettre une paire d'enceintes, ou les deux, hors service.

REMARQUE

Comme les paires d'enceintes avant A et B sont raccordées en série:

- Le son diminue légèrement lorsque les deux paires d'enceintes sont utilisées.
- Aucun son n'est audible si les touches FRONT SPEAKERS A et B sont enclenchées (**ON**/marche) mais qu'une seule paire d'enceintes est raccordée.

Utilisation d'un casque d'écoute

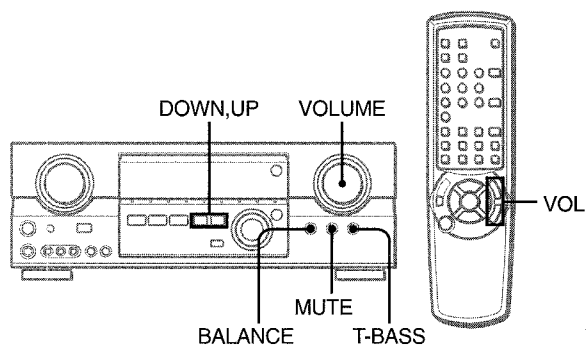
Raccordez un casque d'écoute à fiche standard stéréo (ø6,3 mm, 1/4 pouce) à la prise PHONES. N'oubliez pas de désactiver les touches FRONT SPEAKERS A et B (**OFF**/arrêt), sinon le son sera fourni par les enceintes.

REMARQUE

La fonction 5.1 CH, le système Dolby Pro Logic ou le système DSP sont automatiquement annulés quand vous raccordez un casque d'écoute.

Pour éteindre l'ampli-tuner, appuyez sur l'interrupteur POWER.

REGLAGE PERSONNEL DU SON



REGLAGE DE VOLUME

Tournez la commande de volume (VOLUME) sur l'amplificateur ou appuyez sur les touches VOL de la télécommande.

Le niveau du volume est indiqué sur l'afficheur pendant quatre secondes. Il peut être ajusté entre 0 et MAX (50). Il clignote quand il est réglé au-delà du niveau 44.

Le niveau du volume reste mémorisé à la mise hors tension de l'ampli-tuner, mais s'il est réglé au-dessus du niveau 21 il sera automatiquement réglé au niveau 20 la prochaine fois que vous mettez l'ampli-tuner sous tension.

Pour ajuster la balance gauche/droite des enceintes avant

Appuyez sur la touche BALANCE pour afficher "L/R 0dB". Appuyez ensuite de façon répétée sur la touche DOWN ou UP en l'espace de quatre secondes.

La balance des enceintes avant dans les modes 5.1 CH et Dolby Pro Logic change aussi.

Pour couper provisoirement le son

Appuyez sur la touche MUTING (-20 dB).

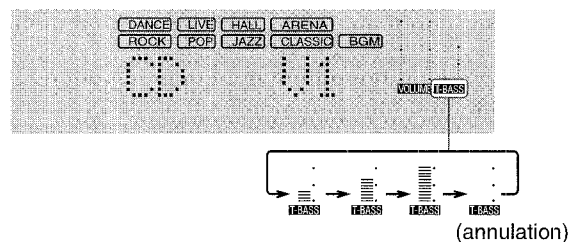
"MUTE ON" apparaît sur l'afficheur pendant quatre secondes. Quand le son est coupé, l'indicateur de fonction sélectionné clignote. Appuyez une nouvelle fois sur la touche MUTING pour rétablir le son.

SYSTEME SUPER T-BASS

Le système T-BASS sert à renforcer le réalisme des basses fréquences.

Appuyez sur la touche T-BASS.

A chaque pression, le niveau change. Sélectionnez un des trois niveaux, ou la position d'annulation si vous préférez.



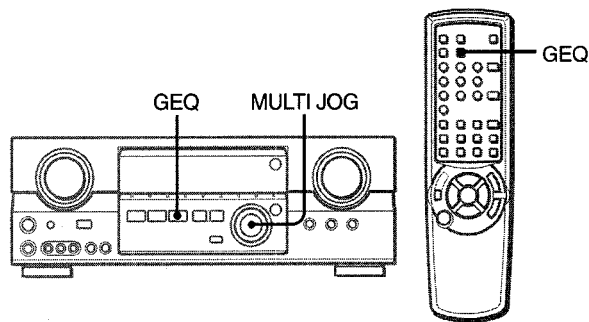
REMARQUE

Le son des basses fréquences peut présenter de la distorsion quand le système T-BASS est utilisé avec un disque ou une cassette sur lesquels les graves sont amplifiés d'origine. Dans ce cas, mettez le système T-BASS hors service.

REGLAGE DU SON PENDANT L'ENREGISTREMENT

Vous pouvez varier à volonté le volume de sortie et le timbre des enceintes ou du casque d'écoute sans changer le niveau d'enregistrement.

EGALISEUR GRAPHIQUE ELECTRONIQUE



L'ampli-tuner présente les cinq modes d'égalisation suivants.

ROCK: Son puissant avec accentuation des aigus et des graves

POP: Présence améliorée des voix et des médiums

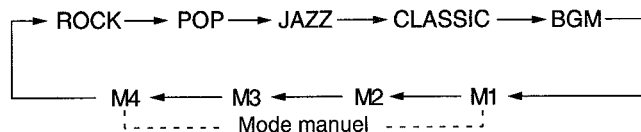
JAZZ: Accentuation des basses fréquences pour la musique de type jazz

CLASSIC: Son plus riche avec des graves lourds et des aigus fins

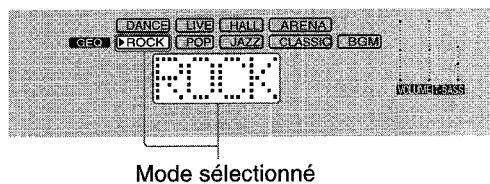
BGM: Son calme avec graves et aigus supprimés

Appuyez sur la touche **GEQ** (égaliseur graphique) et tournez **MULTI JOG** jusqu'à ce que le mode d'égalisation voulu s'affiche.

Les modes GEQ s'affichent de manière cyclique comme ci-après.



La désignation du mode sélectionné s'affiche pendant quatre secondes et l'indicateur ► apparaît à la gauche de la désignation du mode sélectionné.



Pour annuler le mode sélectionné

Appuyez à nouveau sur la touche **GEQ**. "GEQ OFF" apparaît sur l'afficheur.

Pour sélectionner le mode avec la télécommande

Appuyez de façon répétée sur la touche **GEQ** jusqu'à ce que le mode d'égalisation souhaité apparaisse.

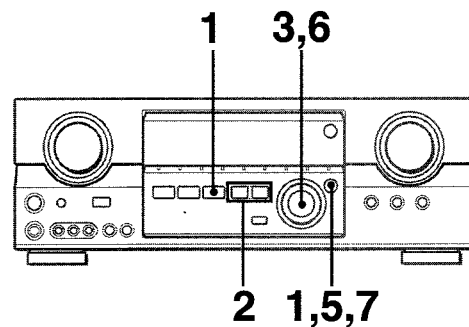
Cinq modes pré-réglés, les modes manuels M1 à M4 et "GEQ OFF" peuvent être sélectionnés.

REMARQUE

- Le système GEQ est automatiquement désactivé:
 - Lorsque le Dolby Pro Logic est activé
 - Lorsque la fonction 5.1 CH est sélectionnée
- Le système GEQ ne peut être activé lorsque la fonction 5.1 CH est sélectionnée.

REGLAGE DE NOUVELLES COURBES D'EGALISATION

Vous pouvez mémoriser jusqu'à 4 courbes d'égalisation comme modes manuels M1 à M4.



1 Appuyez sur la touche **GEQ et appuyez ensuite sur **ENTER** dans un délai de 4 secondes.**



2 Appuyez sur la touche **DOWN ou **UP** pour sélectionner une fréquence.**

L'indicateur de niveau de la fréquence sélectionnée se met à clignoter.

3 Tournez **MULTI JOG pour ajuster le niveau de la fréquence sélectionnée.**

4 Répétez les étapes 2 et 3 pour créer la courbe d'égalisation voulue.

Aux étapes 2 et 3, l'appareil revient en mode normale si aucune opération n'est exécutée dans un délai d'environ 8 secondes.

5 Dans un délai de 8 secondes, appuyez sur la touche **ENTER.**

"GEQ M1" apparaît dans l'afficheur.

6 Tournez **MULTI JOG pour sélectionner un numéro pré-réglé entre M1 et M4.**

7 Appuyez sur la touche **ENTER.**

La courbe d'égalisation est mémorisée.

Le numéro pré-réglé sélectionné et la courbe d'égalisation s'affichent chacun quelques secondes.

Pour ajuster temporairement la courbe GEQ

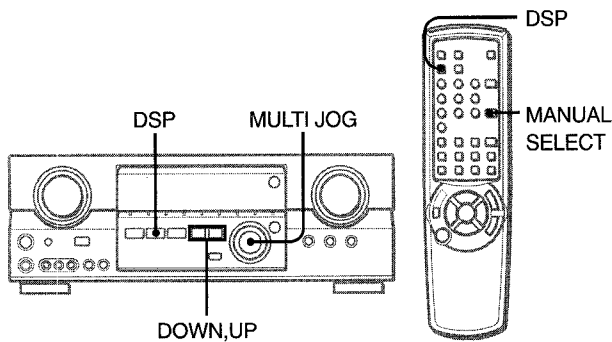
Exécutez les étapes 1 à 4 ci-dessus.

La courbe GEQ ajustée reste activée jusqu'à ce que vous changiez ou que vous annuliez le mode GEQ.

Pour sélectionner une courbe pré-réglée manuellement

Appuyez sur la touche **GEQ** et tournez **MULTI JOG** jusqu'à ce que le numéro pré-réglé sélectionné apparaisse.

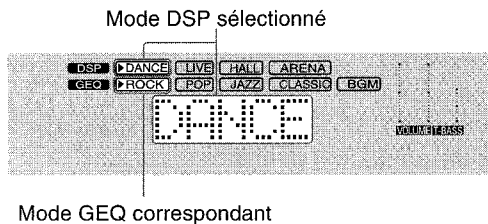
PROCESSEUR D'AMBIANCE



Les circuits du processeur d'ambiance (DSP) peuvent recréer l'effet de sons réfléchis par les murs et les plafonds, pour simuler la présence d'un environnement particulier. Il y a quatre modes d'ambiance avec les modes d'égalisation correspondants. Les modes d'égalisation sont automatiquement sélectionnés et peuvent être activés ou désactivés selon vos goûts.

Appuyez sur la touche DSP et tournez MULTI JOG jusqu'à ce que le mode DSP voulu s'affiche.

La désignation du mode sélectionné s'affiche pendant quatre secondes et les indicateurs ► apparaissent à la gauche de la désignation DSP sélectionnée et de la désignation du mode GEQ correspondant.



Quand la source de musique est monophonique

Sélectionnez LIVE pour simuler un effet stéréo. Quand vous sélectionnez DANCE, HALL ou ARENA, aucun son n'est fourni par les enceintes surround.

Pour annuler le mode sélectionné

Appuyez sur la touche DSP. "DSP OFF" apparaît sur l'afficheur. Même si vous annulez le mode DSP sélectionné, le mode GEQ correspondant ou sélectionné reste actif.

Pour sélectionner le mode avec la télécommande

Appuyez de façon répétée sur la touche DSP jusqu'à ce que le mode DSP souhaité soit affiché.

Quatre modes DSP et "DSP OFF" peuvent être sélectionnés.

Pour ajuster le volume et la balance des enceintes surround

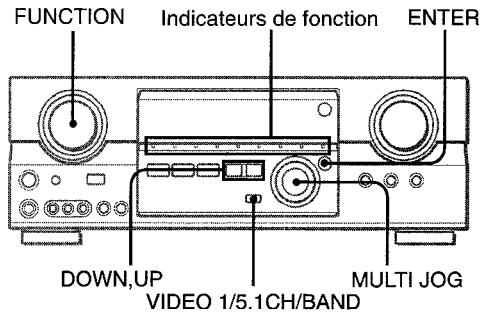
Appuyez deux ou trois fois sur la touche MANUAL SELECT de la télécommande alors que le système DSP est activé de manière à afficher "S-R 0dB" (pour l'enceinte surround droite) ou "S-L 0dB" (pour l'enceinte surround gauche). Puis, appuyez plusieurs fois de suite sur la touche DOWN ou UP dans un délai de quatre secondes.

Attention que le volume et la balance des enceintes surround des modes 5.1 CH et Dolby Pro Logic sont également changés.

REMARQUE

- Le système DSP est automatiquement annulé quand:
 - le Dolby Pro Logic est activé
 - la fonction 5.1 CH est sélectionnée
- Le système DSP ne peut pas être activé quand:
 - la fonction 5.1 CH est sélectionnée
 - un casque d'écoute est branché

SELECTION D'UNE SOURCE AUDIO OU VIDEO



1 Sélectionnez la source de programme.

Tournez le sélecteur FUNCTION ou appuyez sur la touche TAPE MONITOR. L'indicateur de la fonction sélectionnée clignote en rouge.

Pour écouter ou regarder	L'indicateur clignotant
une cassette	TAPE MONITOR
la radio	TUNER
un disque analogique	PHONO
un disque compact	CD
la télévision, etc.	AUX
une cassette vidéo	VIDEO 1/DVD/MD, VIDEO 2/LD/TV, VIDEO 3
un LD ou la télévision câblée	VIDEO 2
un MD ou DVD	VIDEO 1/DVD/MD

Pour sélectionner une fonction sur la télécommande
Appuyez directement sur la touche de fonction voulue.

La fonction à sélectionner (excepté PHONO) dépend de l'appareil raccordé aux bornes d'entrée du panneau arrière de l'ampli-tuner.

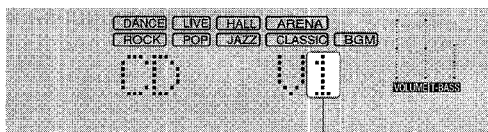
REMARQUE

Quand vous utilisez un tourne-disque avec amplificateur égaliseur intégré, réglez l'interrupteur de l'amplificateur égaliseur sur arrêt. Reportez-vous au mode d'emploi de la platine tourne-disque pour les détails.

2 Démarrez la source de programme sélectionnée.

3 Réglez le son.

A propos de la source vidéo fournie au moniteur ou téléviseur



Source vidéo sélectionnée

V1: VIDEO 1, V2: VIDEO 2, V3: VIDEO 3

La source vidéo sélectionnée est indiquée sur l'afficheur et le signal vidéo transmis par la prise MONITOR VIDEO OUT apparaît sur le téléviseur.

Pour sélectionner la source vidéo

- 1 Sélectionnez l'une des fonctions à l'exception de TUNER.
- 2 Appuyez sur la touche ENTER pour afficher VIDEO 1.
- 3 Tournez MULTI JOG pour sélectionner VIDEO 2 ou VIDEO 3.

Pour changer le nom affiché pour la VIDEO 1 et la VIDEO 2

Lorsque VIDEO 1 est sélectionné, VIDEO 1 apparaît normalement. Vous pouvez le changer par DVD ou MD. Appuyez sur la touche VIDEO 1/5.1CH/BAND tout en maintenant la touche ENTER enfoncée.

Pour exploiter la fonction 5.1CH, appuyez sur la touche VIDEO 1/5.1CH/BAND. Le nom de la fonction passe à "5.1 ch IN" et la source raccordée aux bornes 5.1 INPUT est sélectionnée.

Pour reprendre, appuyez à nouveau sur la touche de façon à ce que le nom de la fonction apparaisse.

Le nom affiché pour la touche VIDEO 2 peut être changé en VIDEO 2, LD ou TV; lorsque la fonction VIDEO 2 est sélectionnée, appuyez sur la touche VIDEO 1/5.1CH/BAND tout en maintenant la touche ENTER enfoncée.

Pour ajuster le niveau sonore de la source raccordée

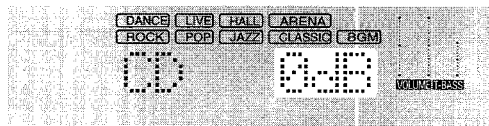
Le niveau de sensibilité d'entrée de chaque fonction (excepté la fonction TUNER) peut être ajusté.

Quand le niveau de la source sonore raccordée est plus haut ou bas que celui de la radio, ajustez-le de la façon suivante.

1 Sélectionnez la fonction dont le niveau doit être ajusté.

Tournez MULTI JOG sur la position correspondante et démarrez la lecture de la source.

2 Appuyez de façon répétée sur la touche UP ou DOWN.



Le niveau peut être ajusté entre -6dB (MIN) et +8dB (MAX) par pas de 2dB. Ajustez le niveau de sorte que le son soit au même niveau que celui de la radio.

REMARQUE

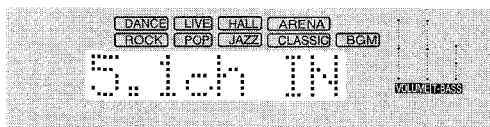
- Le niveau de sensibilité d'entrée de la fonction TUNER ne peut pas être ajusté.
- Le niveau de TAPE MONITOR ne peut pas non plus être ajusté. Même si TAPE MONITOR est sélectionné et l'indicateur TAPE MONITOR éclairé en rouge, une pression sur la touche UP ou DOWN changera le niveau de la fonction indiquée sur l'afficheur.

POUR REPRODUIRE UN DVD ENREGISTRÉ AVEC LE SYSTÈME DOLBY DIGITAL SURROUND

Cet ampli-tuner a des prises 5.1 INPUT permettant de raccorder un décodeur Dolby Digital équipé de prises de sortie 5,1 canaux. Si vous raccordez un lecteur DVD contenant un décodeur Dolby Digital à l'ampli-tuner, vous obtiendrez un véritable son cinématographique lorsque vous reproduirez des disques enregistrés en Dolby Digital Surround.

1 Tournez le sélecteur FUNCTION pour sélectionner la fonction VIDEO 1/DVD/MD.

2 Appuyez sur la touche VIDEO 1/5.1CH/BAND.



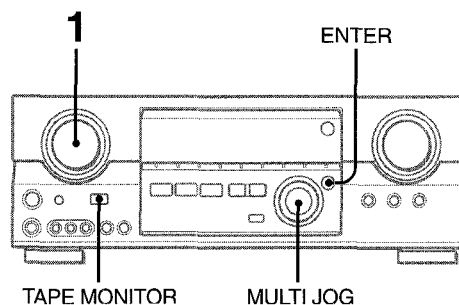
"5.1 CH" apparaît sur l'afficheur et le lecteur DVD raccordé aux prises 5.1 INPUT est sélectionné comme source.

3 Démarrez la lecture du DVD raccordé au Dolby Digital Surround.

REMARQUE

- La fonction 5.1 CH est automatiquement annulée et la fonction VIDEO 1, DVD ou MD sélectionnée quand:
 - le Dolby Pro Logic est activé
 - un casque d'écoute est branché
- La fonction 5.1 CH ne peut pas être sélectionnée quand un casque est branché.

ENREGISTREMENT D'UNE SOURCE AUDIO



1 Sélectionnez la source de programme qui doit être enregistrée.

Tournez le sélecteur FUNCTION.

2 Mettez la platine à cassette ou l'enregistreur MD en mode d'enregistrement.

3 Démarrez la source de programme sélectionnée.

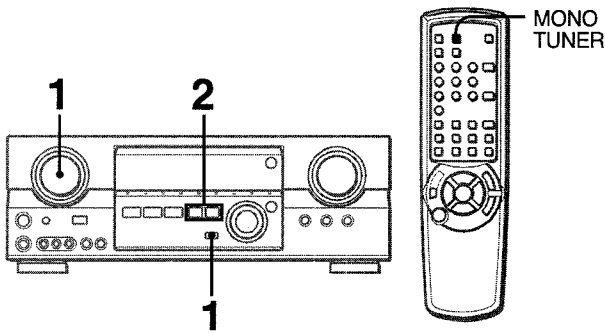
Pour contrôler le son enregistré pendant l'enregistrement (quand la platine à cassette raccordée a trois têtes)

Appuyez sur la touche TAPE MONITOR. "TAPE ON" apparaît sur l'afficheur pendant quatre secondes, puis le nom de la source sélectionnée à l'étape 1 réapparaît. Pour cesser de contrôler le son, appuyez une nouvelle fois sur la touche pour que "TAPE OFF" apparaisse.

REMARQUE

- Aucun système de contrôle du son n'agit sur l'enregistrement (voir page 8).
- Le son fourni aux prises 5.1 INPUT ne peut pas être enregistré. Pour l'enregistrement du son d'un lecteur DVD, raccordez les prises AUDIO OUT (DOWN MIXING) du lecteur DVD aux prises VIDEO 1/DVD/MD AUDIO IN de l'ampli-tuner.
- Lors de l'enregistrement d'une source avec l'enregistreur MD raccordé aux prises VIDEO 1/DVD/MD AUDIO OUT, appuyez d'abord sur la touche ENTER pour afficher VIDEO 1 et tournez ensuite MULTI JOG pour sélectionner VIDEO 2 ou VIDEO 3. Sélectionnez ensuite la source (V2 ou V3 doit s'afficher). L'enregistrement ne peut pas être effectué quand l'indication V1 est affiché.
- Le son fourni par la platine à cassette raccordée aux prises TAPE MONITOR IN ne peut pas être enregistré.

ACCORD MANUEL



- 1 Tournez le sélecteur FUNCTION pour sélectionner la fonction TUNER et appuyez plusieurs fois de suite sur VIDEO 1/5.1CH/BAND pour sélectionner la bande voulue.**



L'afficheur passe à l'indication de la fréquence après avoir indiqué la bande et la source vidéo (V1, V2 ou V3) pendant deux secondes.

- 2 Appuyez sur la touche UP ou DOWN pour sélectionner une station.**

Chaque fois que vous appuyez sur cette touche, la fréquence change.

Lorsqu'une station est captée, "TUNE" s'affiche pendant deux secondes. En cours de réception stéréo FM, ((Ⓜ)) s'affiche.



Pour rechercher une station rapidement (recherche automatique)

Maintenez la touche UP ou DOWN enfoncée jusqu'à ce que le tuner entame la recherche d'une station. La recherche s'arrête dès que l'accord s'est fait sur une station.

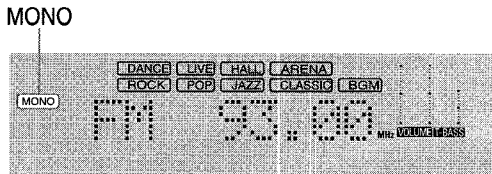
Pour arrêter manuellement la fonction de recherche automatique, appuyez sur la touche UP ou DOWN.

- Il est possible que la recherche automatique ne s'arrête pas sur les stations émettant avec de très faibles signaux.

Quand une émission stéréo FM est parasitée

Appuyez sur la touche MONO TUNER de la télécommande de façon à ce que "MONO" apparaisse dans l'afficheur.

Les parasites sont réduits, mais la réception est monophonique.



Pour restaurer la réception stéréo, appuyez sur la touche de façon à ce que "STEREO" apparaisse.

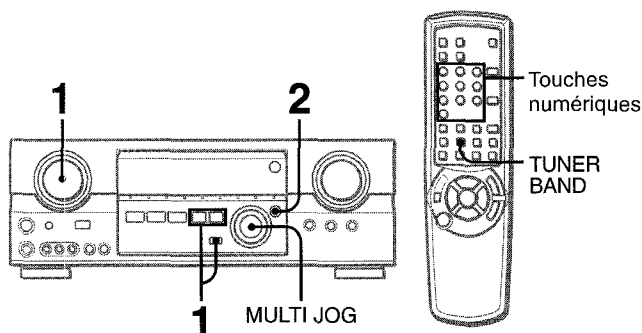
Pour changer l'intervalle d'accord AM

Le réglage par défaut de l'intervalle d'accord AM est de 10 kHz/incrément. Si vous utilisez cet ampli-tuner dans une zone géographique où le système d'allocation des fréquences connaît un système à 9 kHz/incrément, changez l'intervalle d'accord.

Maintenez la touche VIDEO 1/5.1CH/BAND enfoncée et appuyez ensuite sur la touche POWER.

Pour restaurer l'intervalle, répétez cette procédure.

PREREGLAGES DES STATIONS

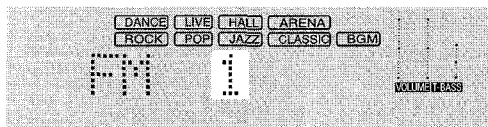


L'appareil peut mémoriser un total de 32 stations pré-réglées. Lorsqu'une station est mémorisée, un numéro de pré-réglage est assigné à cette station. Utilisez le numéro de pré-réglage pour accorder directement une station pré-réglée.

1 Tournez le sélecteur FUNCTION pour sélectionner la fonction TUNER et appuyez plusieurs fois de suite sur la touche VIDEO 1/ 5.1CH/BAND pour sélectionner la bande désirée. Appuyez ensuite sur la touche UP ou DOWN pour sélectionner une station.

2 Appuyez sur la touche ENTER pour mémoriser la station.

Un numéro de pré-réglage assigné à la station, commençant par 1 dans l'ordre croissant pour chaque bande s'affiche pendant deux secondes.



3 Répétez les étapes 1 et 2.

Vous ne pouvez plus mémoriser de stations si 32 stations au total ont déjà été mémorisées pour toutes les bandes.

REMARQUE

Si vous avez changé l'intervalle d'accord AM, toutes les stations pré-réglées sont effacées. Recommencez la procédure de pré-réglage des stations.

ACCORD D'UN NUMERO PREREGLE

1 Tournez le sélecteur FUNCTION pour sélectionner la fonction TUNER et appuyez plusieurs fois de suite sur la touche VIDEO 1/ 5.1CH/BAND pour sélectionner une bande.

2 Tournez MULTI JOG pour sélectionner un numéro pré-réglé.

Pour supprimer une station pré-réglée

Sélectionnez le numéro de la station pré-réglée à supprimer. Appuyez ensuite sur la touche ENTER, puis appuyez à nouveau sur ENTER dans un délai de quatre secondes.

Le numéro de toutes les autres stations pré-réglées suivantes dans cette bande diminuent d'une unité.

Avec la télécommande

Appuyez sur la touche TUNER BAND pour sélectionner une bande et appuyez ensuite sur les touches numériques pour sélectionner un numéro de pré-réglage.

Exemple:

Pour sélectionner le numéro 25, appuyez sur 2 et sur 5.

Pour sélectionner le numéro 7, appuyez sur 0 et sur 7.

Cet appareil est équipé d'un décodeur Dolby Pro Logic et supporte aussi un décodeur Dolby Digital équipé de prises de sortie 5,1 CH.

L'ampli-tuner combiné aux enceintes surround et à l'enceinte centrale (standard) assurent un véritable son cinématographique. A la lecture de disques ou cassettes vidéo enregistrés avec le système Dolby Pro Logic ou Dolby Digital Surround, un son extrêmement réaliste enveloppe l'auditeur et crée un divertissement audiovisuel inédit.

Le réglage indépendant des cinq canaux permet à l'auditeur de bénéficier d'un son tel que l'on peut en faire l'expérience au cinéma. Les voix sont reproduites par le champ sonore avant et central, tandis que l'ambiance, par exemple bruits de voitures ou de la foule, enveloppe l'auditeur de toute part et recrée une atmosphère incroyablement réaliste. Veuillez lire attentivement ce qui suit pour "accorder" la sortie de la chaîne en fonction des caractéristiques de votre salle d'écoute.

Vérifiez les points suivants:

- Pour profiter pleinement du son DOLBY SURROUND, ajustez correctement le niveau sonore des enceintes (voir page 16).
- Assurez-vous que les enceintes ont été raccordées et installées correctement (voir pages 3,4 et 5).
- Assurez-vous que le téléviseur et l'appareil vidéo sont raccordés correctement (voir page 3).
- Assurez-vous que le disque ou la cassette vidéo, etc. sont enregistrés avec le système Dolby Pro Logic ou Dolby Digital Surround.

SELECTION DU DOLBY PRO LOGIC

Le mode Dolby Pro Logic optimal dépend du type et de l'emplacement des enceintes. Nous conseillons l'utilisation d'enceintes Aiwa en option pour tous les canaux, par exemple des enceintes surround SX-R1700, une enceinte centrale SX-C1700 et des enceintes avant SX-AV1700. Vérifiez le type et l'emplacement actuel de vos enceintes et sélectionnez le mode Dolby Pro Logic conseillé en conséquence.

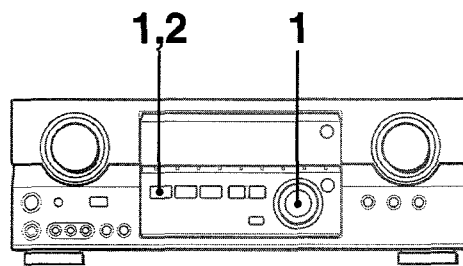
Mode conseillé

	Enceinte centrale		
	Grande dimension	Petite dimension	Sans enceinte
Enceintes surround (enceintes arrière)	DOLBY PRO LOGIC-WIDE	DOLBY PRO LOGIC-NORMAL	PHANTOM
Sans enceintes surround	3 STEREO-WIDE	3 STEREO-NORMAL	-

Mode PHANTOM: Sélectionnez ce mode si vous ne raccordez pas d'enceinte centrale. Les signaux du canal central sont redistribués sur les enceintes avant gauche et droite.

Mode 3 STEREO: Sélectionnez ce mode si vous ne raccordez pas d'enceintes surround.

POUR SELECTIONNER UN MODE DOLBY PRO LOGIC



1 Appuyez sur la touche DOLBY SURROUND et tournez MULTI JOG pour sélectionner le mode approprié.

Le nom des modes apparaît dans l'ordre indiqué ci-dessous.



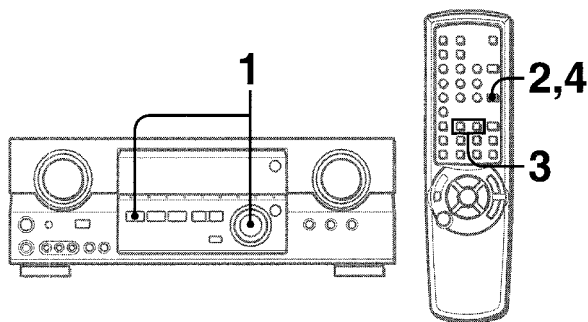
2 Appuyez une nouvelle fois sur la touche DOLBY SURROUND et tenez la touche enfoncée jusqu'à ce que le mode d'enceinte centrale que vous voulez sélectionner apparaisse. (Excepté le mode PHANTOM.)

"NORMAL" et "WIDE" apparaissent tout à tour.

REMARQUE

- Selon la source sonore ou les conditions d'écoute, vous n'obtiendrez peut-être pas d'effet surround bien que le Dolby Pro Logic ait été activé.
- L'effet Dolby Pro Logic complet ne peut pas être obtenu avec les logiciels ne portant pas le logo . Dans ce cas, utilisez le système surround DSP (voir page 10).
- Le système Dolby Pro Logic est automatiquement annulé quand:
 - le système DSP est activé
 - lorsque le système GEQ est activé
 - la fonction 5.1 CH est sélectionnée
 - un casque d'écoute est branché
- Le système Dolby Pro Logic ne peut pas être activé quand un casque d'écoute est branché.

REGLAGE DE LA BALANCE DU NIVEAU DES ENCEINTES

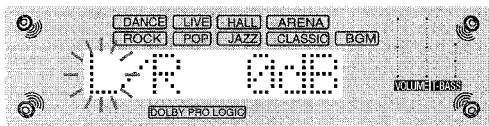


L'ampli-tuner intègre un générateur de signaux de test appelé séquenceur de bruit pour faciliter le réglage de la balance des cinq canaux.

Le séquenceur fournit un signal qui passe d'un canal à l'autre, permettant ainsi d'effectuer simplement un réglage du niveau sonore pour obtenir le même niveau apparent pour chaque canal à la position d'écoute.

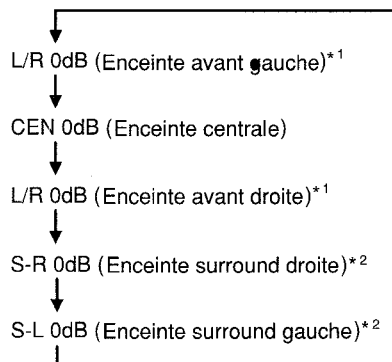
1 Sélectionnez le mode Dolby Pro Logic en fonction du type et de l'emplacement actuel de vos enceintes (voir page 15).

2 Maintenez la touche MANUAL SELECT de la télécommande enfoncée pendant environ deux secondes jusqu'à ce que "L" de "L/R 0dB" se mette à clignoter.

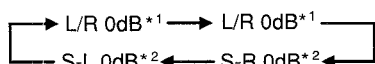


Un signal est envoyé à chaque canal dans l'ordre suivant:

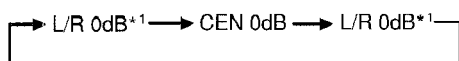
Mode DOLBY PRO LOGIC NORMAL ou WIDE



Mode DOLBY PRO LOGIC PHANTOM



Mode 3 STEREO NORMAL ou WIDE

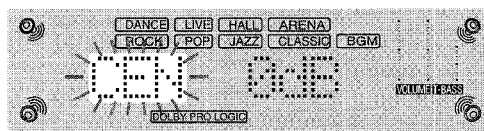


*1 "L" ou "R" clignote pour indiquer l'enceinte avant d'où sort le signal de test.

*2 Le signal de test est fourni en même temps par les enceintes surround gauche et droite.

3 Ajustez le niveau sonore de l'enceinte centrale et des enceintes surround.

Quand "CEN", "S-L" ou "S-R" clignote sur l'afficheur, appuyez sur la touche UP ou DOWN pour que le niveau sonore de l'enceinte centrale ou des enceintes surround corresponde à celui des enceintes avant.



La balance des enceintes avant peut être également ajustée quand "L/R" est affiché.

4 Appuyez une nouvelle fois sur la touche MANUAL SELECT pour arrêter le signal.

REMARQUE

Lorsque vous ajustez la balance des enceintes pour le Dolby Pro Logic, celle des modes DSP et 5.1 CH change également.

A propos des canaux

Les enceintes gauche et droite créent l'effet stéréo.

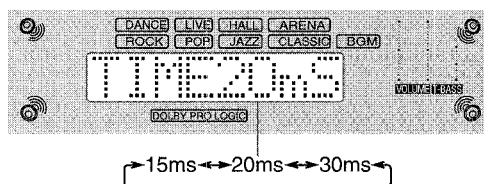
L'enceinte centrale permet d'obtenir un positionnement plus précis du son sur un large champ sonore.

Les enceintes surround arrière augmentent la "profondeur" du champ sonore.

Pour changer le temps de retard des enceintes surround lorsque le mode Dolby Pro Logic est utilisé

Les enceintes surround reproduisent le son une fraction de seconde après les enceintes avant. Le retard est initialement réglé sur 20 ms (millisecondes).

Pour changer le temps de retard standard, appuyez de façon répétée sur la touche MANUAL SELECT pour que "TIME20ms" soit affiché. Appuyez ensuite sur la touche UP ou DOWN. A chaque pression sur une de ces touches, le temps de retard change comme suit.

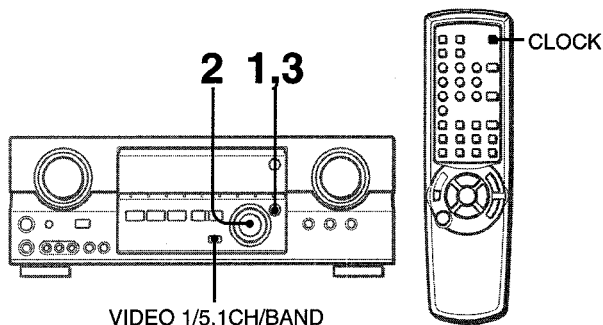


Pour ajuster la balance des enceintes pendant l'écoute d'une source (modes Dolby Pro Logic et 5.1 CH)

La balance des enceintes peut être changée une fois qu'elle a été réglée avec le séquenceur de bruit. La balance peut être changée quand le système Dolby Pro Logic est activé ou la fonction 5.1 CH sélectionnée.

- 1 Reproduisez un disque ou une cassette vidéo enregistré avec le Dolby Pro Logic ou Dolby Digital Surround.
- 2 Appuyez de façon répétée sur la touche MANUAL SELECT pour que "L/R", "CEN", "S-L" ou "S-R" apparaisse sur l'afficheur.
- 3 Appuyez sur la touche UP ou DOWN pendant que le nom de l'enceinte que vous voulez régler est affiché.

REGLAGE DE L'HORLOGE

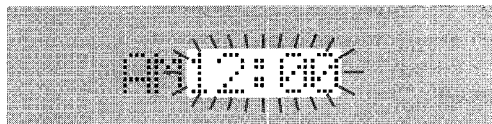


Quand le cordon secteur est raccordé au secteur pour la première fois, l'horloge clignote sur l'afficheur.

Régalez-la de la façon suivante quand l'ampli-tuner est éteint.

1 Appuyez sur la touche SET.

La fenêtre d'affichage devient légèrement plus claire.



2 Tournez MULTI JOG pour désigner l'heure et les minutes.

L'heure avance lorsque vous tournez vers la droite et diminue lorsque vous tournez vers la gauche.

3 Appuyez sur la touche ENTER.

L'horloge démarre à partir de 00 seconde.

REMARQUE

Lors du premier réglage de l'horloge après l'achat

Toutes les indications de la fenêtre d'affichage disparaissent. La raison en est que le mode d'économie d'énergie de l'appareil est activé; il ne s'agit pas d'un dysfonctionnement. Le mode d'économie d'énergie peut être annulé. Pour plus de détails, voir page 6.

Pour remettre l'horloge à l'heure

Appuyez sur l'interrupteur POWER pour mettre l'ampli-tuner hors tension. Appuyez sur la touche ENTER et effectuez les opérations 1 à 5 ci-dessus.

Pour afficher l'heure actuelle

Appuyez sur la touche CLOCK de la télécommande. L'heure est affichée pendant 4 secondes.

Pour passer au standard de 24 heures

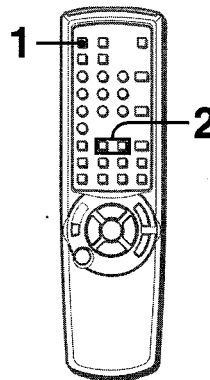
Appuyez sur l'interrupteur VIDEO 1/5.1CH/BAND pendant que l'heure est affichée. Répétez la même opération pour rétablir le standard de 12 heures.

Si l'affichage de l'heure clignote quand l'ampli-tuner est hors tension

Il y a eu une interruption de courant. L'horloge doit être remise à l'heure.

Si l'alimentation est interrompue pendant plus de 24 heures, tous les réglages mémorisés après l'achat doivent être de nouveau effectués.

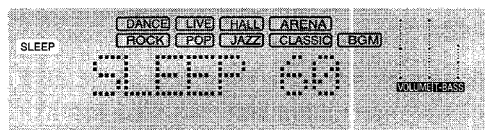
REGLAGE DE LA MINUTERIE D'ARRET



L'ampli-tuner peut être automatiquement mis hors tension à une heure précise.

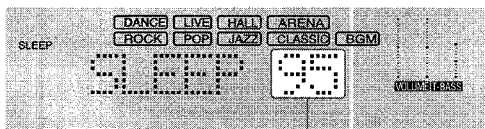
Pour ce réglage, utilisez la télécommande.

1 Appuyez sur la touche SLEEP.



2 En l'espace de quatre secondes, désignez le temps de fonctionnement de l'ampli-tuner en appuyant sur la touche UP ou DOWN.

A chaque pression sur la touche, le temps change par incréments de 5 minutes de 5 à 240 minutes.



Temps désigné

Vous pouvez également régler l'heure à l'aide de MULTI JOG sur l'appareil principal.

Pour vérifier le temps restant jusqu'à la mise hors tension

Appuyez une fois sur la touche SLEEP. Le temps restant est affiché pendant quatre secondes.

Pour arrêter la minuterie

Appuyez deux fois sur la touche SLEEP pour que "SLEEPoFF" disparaisse de l'afficheur.

SOIN ET ENTRETIEN

Un entretien occasionnel de l'ampli-tuner est indispensable pour garantir des performances optimales.

Pour nettoyer le coffret

Utilisez un chiffon doux et sec.

Si la surface est extrêmement sale, utilisez un chiffon légèrement imprégné d'une solution détergente neutre. Ne pas utiliser de solvants puissants, tels que de l'alcool, de la benzine et du diluant, car ils pourraient abîmer la finition.

SPECIFICATIONS

Section Tuner FM

Plage d'accord	87,5 MHz à 108 MHz
Sensibilité utilisable (IHF)	13,2 dBf
Bornes d'antenne	75 ohms (asymétrique)

Section tuner AM

Plage d'accord	530 kHz à 1710 kHz (intervalle de 10 kHz) 531 kHz à 1602 kHz (intervalle de 9 kHz)
Sensibilité utilisable	350 µV/m
Antenne	Antenne cadre

Section Amplificateur

Puissance de sortie	[Mode stéréo] Avant 100 watts par canal, Min. RMS à 8 ohms, 40 Hz à 20 kHz, pas plus de 0,9% de distorsion harmonique totale [Dolby Pro Logic ou mode 5.1 CH] Avant 60 watts par canal, Min. RMS à 8 ohms, 40 Hz à 20 kHz, pas plus de 0,9% de distorsion harmonique totale Arrière (Surround) 60 watts par canal, Min. RMS à 8 ohms, 1 kHz, pas plus de 0,9% de distorsion harmonique totale Centre 60 watts, Min. RMS à 8 ohms, 1 kHz, pas plus de 0,9% de distorsion harmonique totale
Distorsion harmonique totale	0,08 % (40 W, 1 kHz, 8 ohms, Enceintes avant)
Entrées	AUDIO IN PHONO: 2,5 mV, réglable (47 kohms) CD, VIDEO 1/DVD/MD, VIDEO 2/LD/TV, VIDEO 3: 250 mV, réglable (47 kohms) TAPE MONITOR: 350 mV (47 kohms) AUX: 200 mV, réglable (47 kohms) 5.1 INPUT FRONT, CENTER: 400 mV réglable (47 kohms) SURROUND: 400 mV réglable (47 kohms) SUB-WOOFER: 400 mV, réglable (47 kohms) VIDEO IN: 1 Vc-c (75 ohms)

Sorties

AUDIO OUT (REC OUT): 200 mV (1 kohm)
VIDEO OUT (MONITOR): 1 Vp-p (75 ohms)
SUPER WOOFER: 1,2 V
FRONT SPEAKERS IMP: 8Ω (haut-parleurs avant A et B): acceptent des enceintes de 8 ohms ou plus.
SURROUND SPEAKERS IMP: 8Ω (enceintes surround): acceptent des enceintes de 8 ohms ou plus
CENTER SPEAKER IMP: 8Ω: accepte une enceinte de 8 ohms ou plus.
PHONES (prise stéréo): accepte un casque d'écoute de 32 ohms ou plus -20 dB

Coupure du son


Généralités

Alimentation	120 V CA, 60 Hz
Consommation	125 W
Dimensions (L x H x P)	430 x 155 x 351 mm (17 x 6 ¹ / ₈ x 13 ⁷ / ₈ po)
Poids	10 kg (22 lb 1 oz.)

Les spécifications et l'apparence extérieure sont sujettes à modifications sans préavis.

DOLBY PRO LOGIC

Fabriqué sous licence de Dolby Laboratories Licensing Corporation.

"DOLBY", le symbole au double D  et "PRO LOGIC" sont des marques commerciales de Dolby Laboratories Licensing Corporation.

GUIDE DE DEPANNAGE

Si l'appareil ne fonctionne pas comme décrit dans le présent mode d'emploi, vérifiez les points suivants.

GENERALITES

Il n'y a pas de son.

- Le cordon secteur est-il raccordé correctement?
- Y a-t-il un raccordement incorrect? (→ page 3)
- Y a-t-il un court-circuit au niveau des bornes d'enceintes?
→ Débranchez le cordon secteur et corrigez le raccordement des enceintes.
- Avez-vous appuyé sur une touche de fonction incorrecte?
- Avez-vous appuyé sur la touche TAPE MONITOR?
- Les touches FRONT SPEAKERS A et B sont-elles correctement réglées? (→ page 6)

Une seule enceinte diffuse des sons.

- La balance est-elle réglée correctement?
- L'autre enceinte est-elle déconnectée?

Le volume sonore est considérablement réduit.

- Avez-vous appuyé sur la touche MUTING?

Affichage erroné ou dysfonctionnement.

- Réinitialisez l'appareil comme indiqué ci-dessous.

SECTION TUNER

Parasites électrostatiques ondulatoires permanents

- L'antenne est-elle correctement raccordée? (→ page 5)
- Le signal FM est-il faible?
→ Raccordez une antenne extérieure.

Le signal de réception comporte des interférences ou le son est distordu.

- Le système ne capte-t-il pas des parasites extérieurs ou y a-t-il des interférences à plusieurs voies?
→ Changez l'orientation de l'antenne.
→ Eloignez l'appareil d'autres systèmes électriques.

Pour réinitialiser l'ampli-tuner

Si l'afficheur ou le fonctionnement n'est pas normal, réinitialisez l'appareil en procédant comme suit.

- 1 Appuyez sur la touche POWER pour mettre le système hors tension.
- 2 Appuyez sur la touche POWER tout en maintenant la touche ENTER enfoncée. Toutes les données que vous avez programmées sont effacées.

Si le système ne peut être mis hors tension à l'étape 1 en raison d'un dysfonctionnement, réinitialisez-le en déconnectant le cordon secteur et exécutez l'étape 2.

INDEX DES COMPOSANTS

Les instructions relatives à chaque composant de l'ampli-tuner ou de la télécommande sont précisées aux pages indiquées.

(en ordre alphabétique)

Composant	Page
ALIMENTATION	7, 13, 17
AUX	11
BALANCE	8
BANDE DE FREQUENCE	11, 14
BAS (DOWN)	10, 11, 13, 14, 16, 17
CASQUE D'ECOUTE	7
CD	11
COUPURE	8
DOLBY SURROUND	15
DSP	10
ECO	6, 7
ENTER	6, 7, 11, 12, 14, 17
ENCEINTES AVANT A, B	7
EXTINCTION	17
GEQ	9
HAUT (UP)	10, 11, 13, 14, 16, 17
HORLOGE	17
MONITEUR DE BANDE	7, 11, 12
MULTI JOG	6, 7, 9-12, 14, 15, 17
MULTISELECTEUR	11-14
PHONO	11
REGLER	6
SELECTION MANUELLE (TEST)	10, 16
T-BASS	8
TUNER MONO	13
VIDEO 1/5.1 CH/BAND	11, 13, 14, 17
VIDEO 1/DVD/MD	11
VIDEO 2/LD/TV	11
VIDEO 3	11
VOLUME, VOL(∇, ∧)	8

AIWA CO.,LTD.

For assistance and information ***call toll free 1-800-BUY-AIWA*** (United States and Puerto Rico)